



**Model Number**

NJ15+U4+A2-T

**Features**

- Temperature range -25 ... 100 °C (-13 ... 212 °F)
- 15 mm flush

**Accessories**

MHW 01  
Modular mounting bracket

**Technical Data**

**General specifications**

Switching element function	PNP	NO/NC
Rated operating distance	$s_n$	15 mm
Installation		flush
Output polarity		DC
Assured operating distance	$s_a$	0 ... 12.15 mm
Reduction factor $r_{Al}$		0.4
Reduction factor $r_{Cu}$		0.3
Reduction factor $r_{304}$		0.85

**Nominal ratings**

Operating voltage	$U_B$	10 ... 60 V
Switching frequency	$f$	0 ... 150 Hz
Hysteresis	$H$	typ. 3 %
Reverse polarity protection		reverse polarity protected
Short-circuit protection		pulsing
Voltage drop	$U_d$	≤ 3 V
Operating current	$I_L$	0 ... 200 mA
Off-state current	$I_r$	0 ... 0.5 mA typ. 0.01 mA
No-load supply current	$I_0$	≤ 20 mA
Time delay before availability	$t_v$	≤ 20 ms
Operating voltage indicator		LED, green
Switching state indicator		LED, yellow

**Ambient conditions**

Ambient temperature	-25 ... 100 °C (-13 ... 212 °F)
---------------------	---------------------------------

**Mechanical specifications**

Connection type	screw terminals
Core cross-section	up to 2.5 mm <sup>2</sup>
Housing material	PBT-GF20, Crastin SK 643 FR
Sensing face	PBT-GF20, Crastin SK 643 FR
Housing base	metal
Degree of protection	IP68

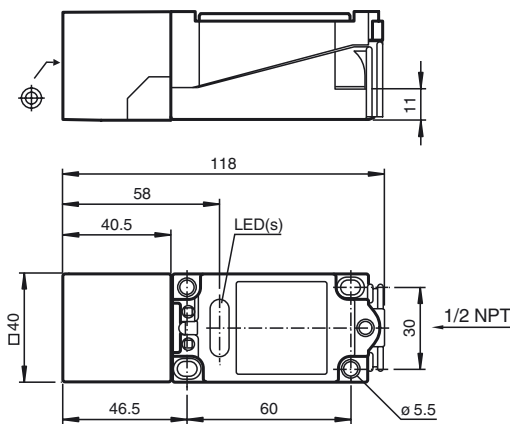
**Compliance with standards and directives**

Standard conformity	
Standards	EN 60947-5-2:2007 IEC 60947-5-2:2007

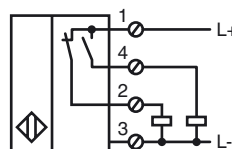
**Approvals and certificates**

UL approval	cULus Listed, General Purpose
CSA approval	cCSAus Listed, General Purpose
CCC approval	Certified by China Compulsory Certification (CCC)

**Dimensions**



**Electrical Connection**



Release date: 2015-02-24 11:21 Date of issue: 2015-02-25 015591\_eng.xml