



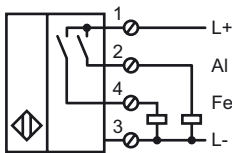
Model Number

NJ15+U4+2E2-NE/FE

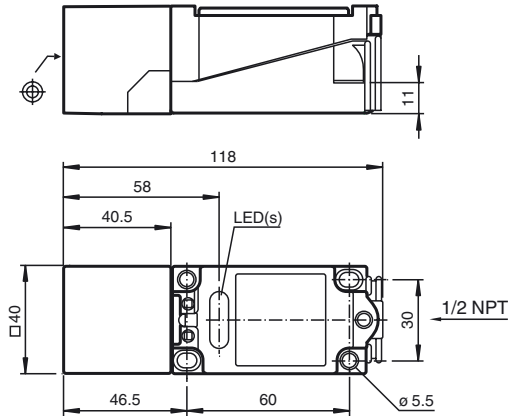
Features

- 4-wire DC
- 15 mm non-flush
- 2 outputs for ferrous and nonferrous metals

Connection



Dimensions



Technical Data

General specifications

Switching element function		PNP NO contact
Rated operating distance	s_n	15 mm
Installation		non-flush
Output polarity		Selective
Assured operating distance	s_a	0 ... 12.15 mm
Reduction factor r_{Al}		1/0
Reduction factor r_{Cu}		1/0
Reduction factor r_{St37}		0/1
Reduction factor r_{Brass}		1/0

Nominal ratings

Operating voltage	U_B	10 ... 30 V DC
Reverse polarity protection		reverse polarity protected
No-load supply current	I_0	≤ 20 mA
Switching state indication		LED, yellow=Fe; red=Al

Functional safety related parameters

MTTF _d		1110 a
Mission Time (T _M)		20 a
Diagnostic Coverage (DC)		0 %

Output

Output type		2 switch outputs PNP, NO
Short-circuit protection/overload		pulsing
Connection		terminal 2: Al terminal 4: Fe
Voltage drop	U_d	≤ 3 V
Switching frequency	f	≤ 100 Hz
Load current		≤ 200 mA

Ambient conditions

Ambient temperature		0 ... 50 °C (32 ... 122 °F)
---------------------	--	-----------------------------

Mechanical specifications

Connection type		screw terminals
Core cross-section		up to 2.5 mm ²
Housing material		PBT/metal
Sensing face		PBT
Protection degree		IP68

Compliance with standards and directives

Standard conformity		
Standards		EN 60947-5-2:2007 IEC 60947-5-2:2007

Approvals and certificates

UL approval		cULus Listed, General Purpose
CSA approval		cCSAus Listed, General Purpose

Release date: 2013-05-03 10:16 Date of issue: 2013-05-03 020266_eng.xml