



**Model Number**

**NJ15+U2+N**

**Features**

- Comfort series
- 15 mm flush

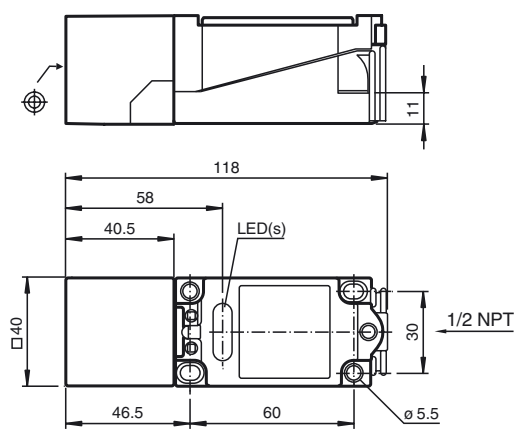
**Accessories**

- MH 04-2681F**  
Mounting aid for VariKont, +U1+ and +U9\*
- MH 04-2057B**  
Mounting aid for VariKont and +U1+
- MHW 01**  
Modular mounting bracket

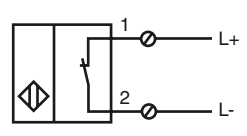
**Technical Data**

<b>General specifications</b>	
Switching function	Normally closed (NC)
Output type	NAMUR
Rated operating distance	$s_n$ 15 mm
Installation	flush
Assured operating distance	$s_a$ 0 ... 12.15 mm
Reduction factor $r_{AI}$	0.4
Reduction factor $r_{Cu}$	0.3
Reduction factor $r_{304}$	0.85
Output type	2-wire
<b>Nominal ratings</b>	
Nominal voltage	$U_o$ 8 V
Switching frequency	$f$ 0 ... 120 Hz
<b>Current consumption</b>	
Measuring plate not detected	$\geq 3$ mA
Measuring plate detected	$\leq 1$ mA
<b>Ambient conditions</b>	
Ambient temperature	-25 ... 100 °C (-13 ... 212 °F)
<b>Mechanical specifications</b>	
Connection type	screw terminals
Information for connection	A maximum of two conductors with the same core cross section may be mounted on one terminal connection! tightening torque 1.2 Nm + 10 %
Core cross-section	up to 2.5 mm <sup>2</sup>
Minimum core cross-section	without wire end ferrule 0.5 mm <sup>2</sup> , with connector sleeves 0.34 mm <sup>2</sup>
Maximum core cross-section	without wire end ferrule 2.5 mm <sup>2</sup> , with connector sleeves 1.5 mm <sup>2</sup>
Housing material	PBT
Sensing face	PBT
Degree of protection	IP68
<b>General information</b>	
Use in the hazardous area	see instruction manuals
Category	2G
<b>Compliance with standards and directives</b>	
Standard conformity	
NAMUR	EN 60947-5-6:2000 IEC 60947-5-6:1999
Standards	EN 60947-5-2:2007 IEC 60947-5-2:2007
<b>Approvals and certificates</b>	
FM approval	
Control drawing	116-0165
UL approval	cULus Listed, General Purpose
CSA approval	cCSAus Listed, General Purpose
CCC approval	CCC approval / marking not required for products rated $\leq 36$ V

**Dimensions**



**Electrical Connection**



Release date: 2017-05-30 10:38 Date of issue: 2017-07-24 106673\_eng.xml

**Equipment protection level Gb**

CE marking	CE 0102	
Effective internal inductivity	$C_i$	$\leq 140 \text{ nF}$ ; a cable length of 10 m is considered.
Effective internal inductance	$L_i$	$\leq 130 \text{ }\mu\text{H}$ ; a cable length of 10 m is considered.
Maximum permissible ambient temperature $T_{amb}$	Details of the correlation between the type of circuit connected, the maximum permissible ambient temperature, the temperature class, and the effective internal reactance values can be found on the EU-type examination certificate.	

**Equipment protection level Da**

CE marking	CE 0102	
Effective internal inductivity	$C_i$	$\leq 140 \text{ }\mu\text{F}$ A cable length of 10 m is considered.
Effective internal inductance	$L_i$	$\leq 130 \text{ }\mu\text{H}$ A cable length of 10 m is considered.

Release date: 2017-05-30 10:38 Date of issue: 2017-07-24 106673\_eng.xml