



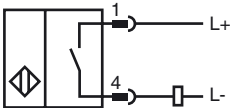
**Model Number**

NCN50-FP-Z3-P4-V1

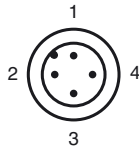
**Features**

- 50 mm non-flush

**Connection**



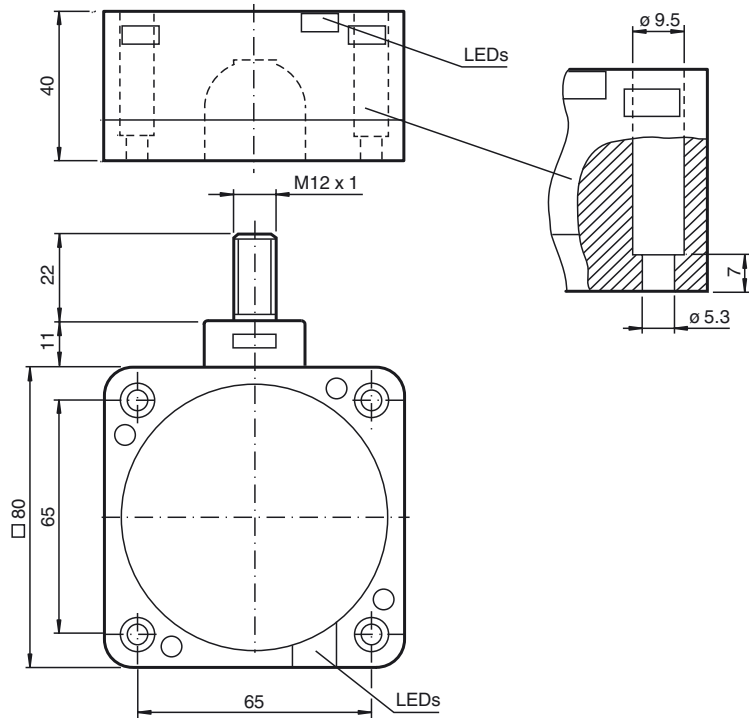
**Pinout**



Wire colors in accordance with EN 60947-5-2

1	BN	(brown)
2	WH	(white)
3	BU	(blue)
4	BK	(black)

**Dimensions**



**Technical Data**

**General specifications**

Switching element function		DC	NO
Rated operating distance	$s_n$	50 mm	
Installation		non-flush	
Output polarity		DC	
Assured operating distance	$s_a$	0 ... 40.5 mm	
Reduction factor $r_{AI}$		0.4	
Reduction factor $r_{Cu}$		0.35	
Reduction factor $r_{304}$		0.8	

**Nominal ratings**

Operating voltage	$U_B$	10 ... 60 V
Switching frequency	$f$	0 ... 80 Hz
Hysteresis	$H$	0 ... 20 typ. 5 %
Reverse polarity protection		reverse polarity tolerant
Short-circuit protection		pulsing
Voltage drop	$U_d$	$\leq 6$ V
Operating current	$I_L$	2 ... 200 mA
Off-state current	$I_r$	0.4 ... 1 mA typ. 0.6 mA
Time delay before availability	$t_v$	$\leq 300$ ms
Switching state indication		LED, yellow

**Ambient conditions**

Ambient temperature	-25 ... 70 °C (-13 ... 158 °F)
Storage temperature	-25 ... 85 °C (-13 ... 185 °F)

**Mechanical specifications**

Connection type	Connector M12 x 1, 4-pin
Housing material	PBT/metal
Sensing face	PBT
Protection degree	IP67

**Compliance with standards and directives**

Standard conformity	
Standards	EN 60947-5-2:2007 IEC 60947-5-2:2007

**Approvals and certificates**

UL approval	cULus Listed, General Purpose
CSA approval	cCSAus Listed, General Purpose

Release date: 2013-04-09 11:30 Date of issue: 2013-04-09 906232\_eng.xml