



Model Number

NCN50-FP-A2-P4

Features

- Comfort series
- 50 mm non-flush

Technical Data

General specifications

Switching element function		PNP	NO/NC
Rated operating distance	s_n	50 mm	
Installation		non-flush	
Output polarity		DC	
Assured operating distance	s_a	0 ... 40.5 mm	
Reduction factor r_{Al}		0.4	
Reduction factor r_{Cu}		0.3	
Reduction factor r_{304}		0.85	

Nominal ratings

Operating voltage	U_B	10 ... 60 V
Switching frequency	f	0 ... 80 Hz
Hysteresis	H	typ. 3 %
Reverse polarity protection		reverse polarity protected
Short-circuit protection		pulsing
Voltage drop	U_d	≤ 3 V
Operating current	I_L	0 ... 200 mA
Off-state current	I_r	0 ... 0.5 mA
No-load supply current	I_0	≤ 20 mA
Time delay before availability	t_v	≤ 300 ms
Operating voltage indicator		LED, green
Switching state indicator		LED, yellow

Functional safety related parameters

MTTF _d	680 a
Mission Time (T _M)	20 a
Diagnostic Coverage (DC)	0 %

Ambient conditions

Ambient temperature	-25 ... 70 °C (-13 ... 158 °F)
---------------------	--------------------------------

Mechanical specifications

Connection type	screw terminals
Information for connection	A maximum of two conductors with the same core cross-section may be mounted on one terminal connection! tightening torque 1.2 Nm + 10 %
Core cross-section	up to 2.5 mm ²
Minimum core cross-section	without wire end ferrule 0.5 mm ² , with connector sleeves 0.34 mm ²
Maximum core cross-section	without wire end ferrule 2.5 mm ² , with connector sleeves 1.5 mm ²
Housing material	PBT/base of metal
Sensing face	PBT
Housing base	metal
Degree of protection	IP68

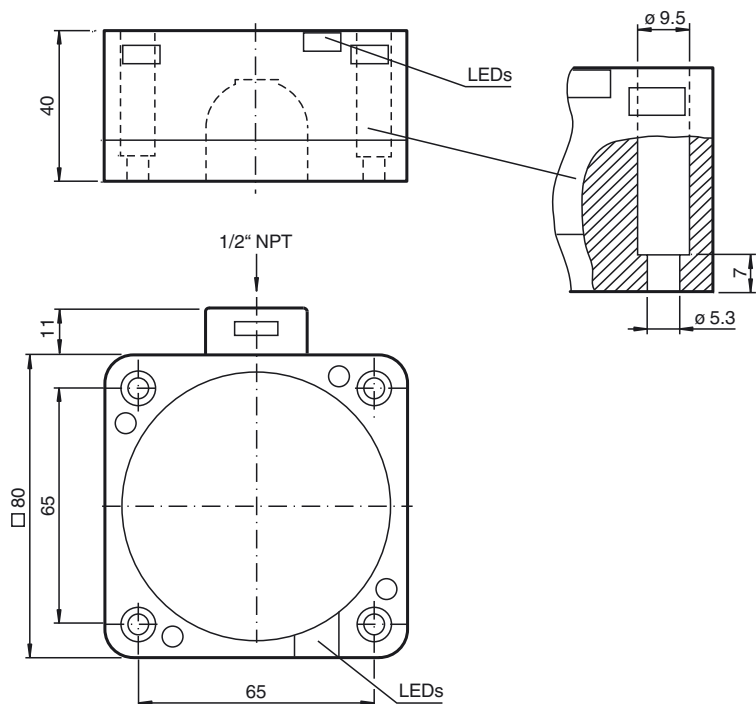
Compliance with standards and directives

Standard conformity	
Standards	EN 60947-5-2:2007 IEC 60947-5-2:2007

Approvals and certificates

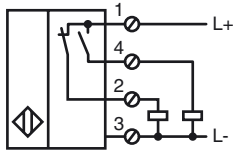
UL approval	cULus Listed, General Purpose
CSA approval	cCSAus Listed, General Purpose
CCC approval	Certified by China Compulsory Certification (CCC)

Dimensions



Release date: 2016-09-29 11:38 Date of issue: 2016-10-10 182956_eng.xml

Electrical Connection



Release date: 2016-09-29 11:38 Date of issue: 2016-10-10 182956_eng.xml