



**Model Number**

NCN40+U4+Z2-V1

**Features**

- 40 mm non-flush

**Technical Data**

**General specifications**

Switching element function		DC	NO/NC
Rated operating distance	$s_n$	40 mm	
Installation		non-flush	
Output polarity		DC	
Assured operating distance	$s_a$	0 ... 32.4 mm	
Reduction factor $r_{Al}$		0.45	
Reduction factor $r_{Cu}$		0.45	
Reduction factor $r_{304}$		0.8	

**Nominal ratings**

Operating voltage	$U_B$	5 ... 60 V
Switching frequency	$f$	0 ... 100 Hz
Hysteresis	$H$	1 ... 10 typ. 5 %
Reverse polarity protection		reverse polarity tolerant
Short-circuit protection		pulsing
Voltage drop	$U_d$	$\leq 5$ V

**Voltage drop at  $I_L$**

Voltage drop  $I_L = 20$  mA, switching element 3.4 ... 5 V typ. 4.3 V on  $U_d$

Operating current	$I_L$	2 ... 200 mA
Lowest operating current	$I_m$	2 mA
Off-state current	$I_r$	0 ... 1 mA typ. 0.7 mA
Time delay before availability	$t_v$	$\leq 100$ ms
Switching state indicator		LED, yellow

**Ambient conditions**

Ambient temperature	-25 ... 70 °C (-13 ... 158 °F)
Storage temperature	-25 ... 85 °C (-13 ... 185 °F)

**Mechanical specifications**

Connection type	Connector M12 x 1, 4-pin
Housing material	PBT/metal
Sensing face	PBT
Degree of protection	IP68

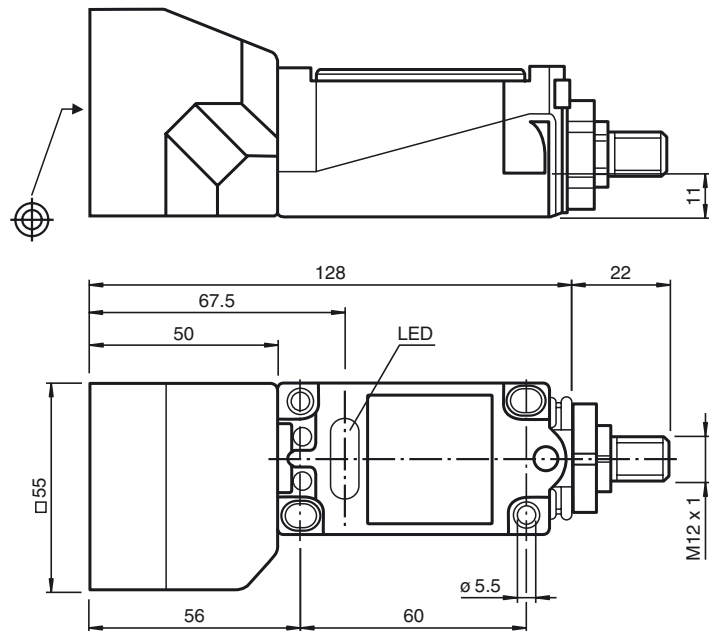
**Compliance with standards and directives**

Standard conformity	
Standards	EN 60947-5-2:2007 IEC 60947-5-2:2007

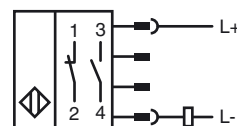
**Approvals and certificates**

UL approval	cULus Listed, General Purpose
CSA approval	cCSAus Listed, General Purpose
CCC approval	Certified by China Compulsory Certification (CCC)

**Dimensions**



**Electrical Connection**



Pinout



Wire colors in accordance with EN 60947-5-2

1		BN	(brown)
2		WH	(white)
3		BU	(blue)
4		BK	(black)