



Model Number

NCN40+U4+N0

Features

- Comfort series
- 40 mm non-flush

Accessories

MHW 01

Modular mounting bracket

Technical Data

General specifications

Switching function	Normally closed (NC)
Output type	NAMUR
Rated operating distance	s_n 40 mm
Installation	non-flush
Assured operating distance	s_a 0 ... 32.4 mm
Reduction factor r_{Al}	0.45
Reduction factor r_{Cu}	0.45
Reduction factor r_{304}	0.8
Output type	2-wire

Nominal ratings

Installation conditions	
A	10 mm
Nominal voltage	U_o 8 V
Switching frequency	f 0 ... 100 Hz
Hysteresis	H 1 ... 15 typ. 5 %
Reverse polarity protection	reverse polarity protected
Short-circuit protection	yes
Current consumption	
Measuring plate not detected	≥ 3 mA
Measuring plate detected	≤ 1 mA
Switching state indicator	LED, yellow

Ambient conditions

Ambient temperature	-25 ... 100 °C (-13 ... 212 °F)
Storage temperature	-40 ... 100 °C (-40 ... 212 °F)

Mechanical specifications

Connection type	screw terminals
Information for connection	A maximum of two conductors with the same core cross section may be mounted on one terminal connection! tightening torque 1.2 Nm + 10 %
Core cross-section	
Minimum core cross-section	without wire end ferrule 0.5 mm ² , with connector sleeves 0.34 mm ²
Maximum core cross-section	without wire end ferrule 2.5 mm ² , with connector sleeves 1.5 mm ²
Housing material	PBT-GF20, Crastin SK 643 FR
Sensing face	PBT-GF20, Crastin SK 643 FR
Housing base	metal
Degree of protection	IP68

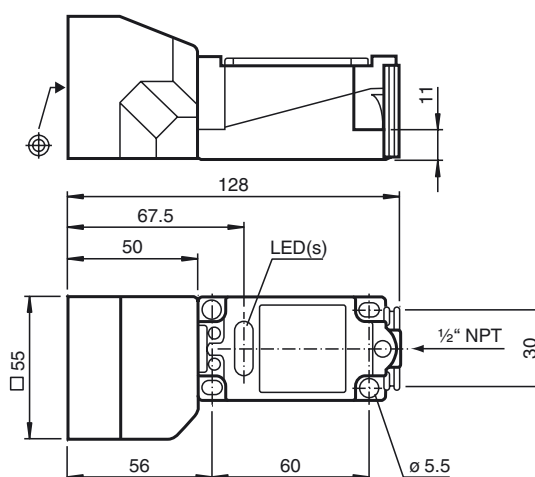
Compliance with standards and directives

Standard conformity	
NAMUR	EN 60947-5-6:2000 IEC 60947-5-6:1999
Electromagnetic compatibility	NE 21:2007
Standards	EN 60947-5-2:2007 IEC 60947-5-2:2007

Approvals and certificates

UL approval	cULus Listed, General Purpose
CSA approval	cCSAus Listed, General Purpose
CCC approval	CCC approval / marking not required for products rated ≤36 V

Dimensions



Electrical Connection

