



### Model Number

NCN40+U2+N0

### Features

- Comfort series
- 40 mm non-flush

### Accessories

#### MHW 01

Modular mounting bracket

#### MH 04-2057B

Mounting aid for VariKont and +U1+

## Technical Data

### General specifications

|                            |                      |
|----------------------------|----------------------|
| Switching function         | Normally closed (NC) |
| Output type                | NAMUR                |
| Rated operating distance   | $s_n$ 40 mm          |
| Installation               | non-flush            |
| Assured operating distance | $s_a$ 0 ... 32.4 mm  |
| Reduction factor $r_{Al}$  | 0.45                 |
| Reduction factor $r_{Cu}$  | 0.45                 |
| Reduction factor $r_{304}$ | 0.8                  |
| Output type                | 2-wire               |

### Nominal ratings

|                              |                            |
|------------------------------|----------------------------|
| Installation conditions      |                            |
| A                            | 10 mm                      |
| Nominal voltage              | $U_o$ 8 V                  |
| Switching frequency          | f 0 ... 100 Hz             |
| Hysteresis                   | H 1 ... 15 typ. 5 %        |
| Reverse polarity protection  | reverse polarity protected |
| Short-circuit protection     | yes                        |
| Current consumption          |                            |
| Measuring plate not detected | $\geq 3$ mA                |
| Measuring plate detected     | $\leq 1$ mA                |
| Switching state indicator    | LED, yellow                |

### Ambient conditions

|                     |                                 |
|---------------------|---------------------------------|
| Ambient temperature | -25 ... 100 °C (-13 ... 212 °F) |
| Storage temperature | -40 ... 100 °C (-40 ... 212 °F) |

### Mechanical specifications

|                            |   |
|----------------------------|---|
| Connection type            | screw terminals   |
| Information for connection | A maximum of two conductors with the same core cross section may be mounted on one terminal connection! tightening torque 1.2 Nm + 10 % |
| Core cross-section         |   |
| Minimum core cross-section | without wire end ferrule 0.5 mm <sup>2</sup> , with connector sleeves 0.34 mm <sup>2</sup>  |
| Maximum core cross-section | without wire end ferrule 2.5 mm <sup>2</sup> , with connector sleeves 1.5 mm <sup>2</sup>   |
| Housing material           | PBT   |
| Sensing face               | PBT   |
| Degree of protection       | IP68  |

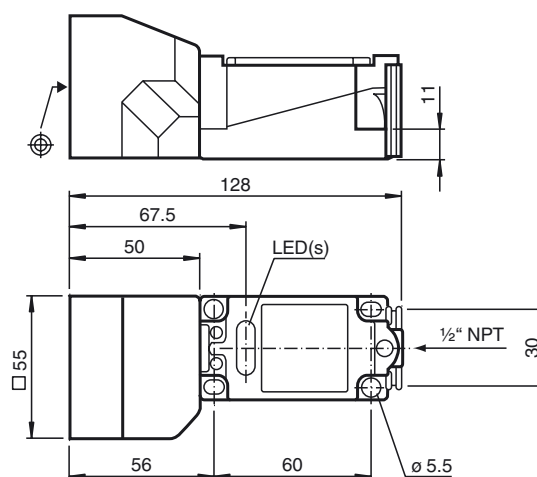
### Compliance with standards and directives

|                               |   |
|-------------------------------|---|
| Standard conformity           |   |
| NAMUR                         | EN 60947-5-6:2000<br>IEC 60947-5-6:1999 |
| Electromagnetic compatibility | NE 21:2007                              |
| Standards                     | EN 60947-5-2:2007<br>IEC 60947-5-2:2007 |

### Approvals and certificates

|              |  |
|--------------|--|
| UL approval  | cULus Listed, General Purpose                                      |
| CSA approval | cCSAus Listed, General Purpose                                     |
| CCC approval | CCC approval / marking not required for products rated $\leq 36$ V |

## Dimensions



## Electrical Connection

