



**Model Number**

NCN30+U4+U

**Features**

- **Comfort series**
- **30 mm non-flush**
- **2-wire AC/DC**

**Accessories**

- V1-W**  
Female connector, M12, 4-pin, field attachable
- V1-G-2M-PUR**  
Female cordset, M12, 4-pin, PUR cable
- MHW 01**  
Modular mounting bracket
- V1-M20-80**  
Receptacles, M12/M20; plastic version
- V1-W-2M-PUR**  
Female cordset, M12, 4-pin, PUR cable

**Technical Data**

**General specifications**

Switching element function		AC/DC	NO/NC
Rated operating distance	$s_n$	30 mm	
Installation		non-flush	
Assured operating distance	$s_a$	0 ... 24.3 mm	
Reduction factor $r_{Al}$		0.45	
Reduction factor $r_{Cu}$		0.42	
Reduction factor $r_{304}$		0.79	

**Nominal ratings**

Operating voltage DC	$U_B$	20 ... 300 V
Operating voltage AC	$U_B$	20 ... 253 V
Switching frequency	$f$	0 ... 25 Hz
Hysteresis	$H$	typ. 3 %
Short-circuit protection		pulsing
Voltage drop	$U_d$	$\leq 4$ V
Momentary current (20 ms, 0.1 Hz)		0 ... 3000 mA
Operating current	$I_L$	5 ... 500 mA
Off-state current	$I_r$	0 ... 2.5 mA typ. 1.5 mA
Time delay before availability	$t_v$	$\leq 100$ ms
Operating voltage indicator		LED, green
Switching state indicator		LED, yellow

**Ambient conditions**

Ambient temperature	-25 ... 70 °C (-13 ... 158 °F)
---------------------	--------------------------------

**Mechanical specifications**

Connection type	screw terminals
Information for connection	A maximum of two conductors with the same core cross-section may be mounted on one terminal connection! tightening torque 1.2 Nm + 10 %
Core cross-section	up to 2.5 mm <sup>2</sup>
Minimum core cross-section	without wire end ferrule 0.5 mm <sup>2</sup> , with connector sleeves 0.34 mm <sup>2</sup>
Maximum core cross-section	without wire end ferrule 2.5 mm <sup>2</sup> , with connector sleeves 1.5 mm <sup>2</sup>
Housing material	PBT/metal
Sensing face	PBT
Degree of protection	IP68

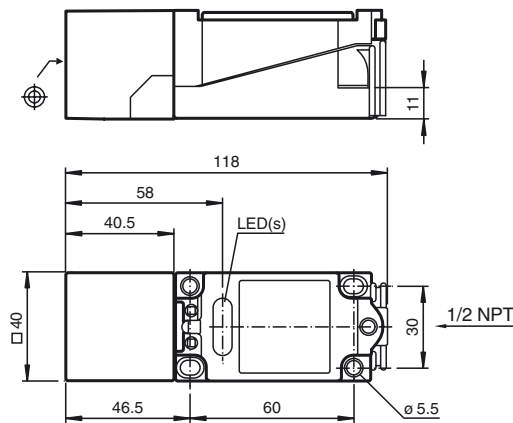
**Compliance with standards and directives**

Standard conformity	
Standards	EN 60947-5-2:2007 IEC 60947-5-2:2007

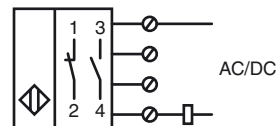
**Approvals and certificates**

UL approval	cULus Listed, General Purpose
CSA approval	cCSAus Listed, General Purpose
CCC approval	Certified by China Compulsory Certification (CCC)

**Dimensions**



**Electrical Connection**



Release date: 2016-09-29 11:41 Date of issue: 2016-10-10 086262\_eng.xml