



Model Number

NCN20+U4+U

Features

- Comfort series
- 20 mm non-flush
- 2-wire AC

Accessories

V1-W-2M-PUR

Female cordset, M12, 4-pin, PUR cable

V1-G-2M-PUR

Female cordset, M12, 4-pin, PUR cable

MHW 01

Modular mounting bracket

V1-W

Female connector, M12, 4-pin, field attachable

V1-M20-80

Receptacles, M12/M20; plastic version

Technical Data

General specifications

Switching element function		AC/DC	NO/NC
Rated operating distance	s_n	20 mm	
Installation		non-flush	
Assured operating distance	s_a	0 ... 16.2 mm	
Reduction factor r_{Al}		0.37	
Reduction factor r_{Cu}		0.35	
Reduction factor r_{304}		0.79	

Nominal ratings

Operating voltage DC	U_B	20 ... 300 V	
Operating voltage AC	U_B	20 ... 253 V	
Switching frequency	f	0 ... 25 Hz	
Hysteresis	H	typ. 3 %	
Short-circuit protection		pulsing	
Voltage drop	U_d	≤ 4 V	
Momentary current (20 ms, 0.1 Hz)		0 ... 3000 mA	
Operating current	I_L	5 ... 500 mA	
Off-state current	I_r	0 ... 2.5 mA typ. 1.5 mA	
Time delay before availability	t_v	≤ 100 ms	
Operating voltage indicator		LED, green	
Switching state indicator		LED, yellow	

Ambient conditions

Ambient temperature	-25 ... 70 °C (-13 ... 158 °F)
---------------------	--------------------------------

Mechanical specifications

Connection type	screw terminals
Information for connection	A maximum of two conductors with the same core cross-section may be mounted on one terminal connection! tightening torque 1.2 Nm + 10 %
Core cross-section	up to 2.5 mm ²
Minimum core cross-section	without wire end ferrule 0.5 mm ² , with connector sleeves 0.34 mm ²
Maximum core cross-section	without wire end ferrule 2.5 mm ² , with connector sleeves 1.5 mm ²
Housing material	PBT/metal
Sensing face	PBT
Degree of protection	IP68

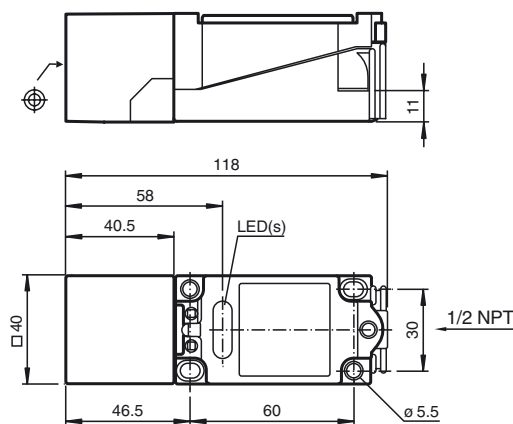
Compliance with standards and directives

Standard conformity	
Standards	EN 60947-5-2:2007 IEC 60947-5-2:2007

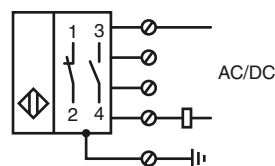
Approvals and certificates

UL approval	cULus Listed, General Purpose
CSA approval	cCSAus Listed, General Purpose
CCC approval	Certified by China Compulsory Certification (CCC)

Dimensions



Electrical Connection



Release date: 2016-09-29 11:42 Date of issue: 2016-10-10 049779_eng.xml