



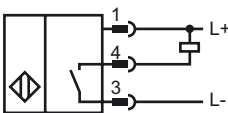
**Model Number**

NBN8-F1-E0-V3

**Features**

- 8 mm not embeddable
- 3-wire DC

**Connection**



**Pinout**



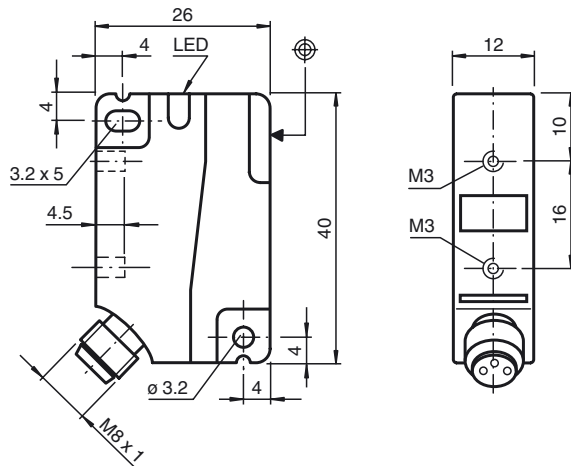
Wire colors in accordance with EN 60947-5-2

1	BN	(brown)
3	BU	(blue)
4	BK	(black)

**Accessories**

- V3-WM**  
Female connector, M8, 3-pin, field attachable
- V3-GM**  
Female connector, M8, 3-pin, field attachable
- V3-WM-2M-PUR**  
Cable socket, M8, 3-pin, PUR cable
- V3-GM-2M-PUR**  
Cable socket, M8, 3-pin, PUR cable

**Dimensions**



**Technical Data**

**General specifications**

Switching element function	NPN	NO
Rated operating distance	$s_n$	8 mm
Installation	not embeddable	
Output polarity	DC	
Assured operating distance	$s_a$	0 ... 6.48 mm
Reduction factor $r_{Al}$	0.45	
Reduction factor $r_{Cu}$	0.45	
Reduction factor $r_{303}$	0.7	
Reduction factor $r_{Brass}$	0.55	

**Nominal ratings**

Operating voltage	$U_B$	10 ... 30 V DC
Switching frequency	$f$	0 ... 1400 Hz
Hysteresis	$H$	typ. 5%
Reverse polarity protected	reverse polarity protected	
Short-circuit protection	pulsing	
Voltage drop	$U_d$	$\leq 2.5$ V
Operating current	$I_L$	0 ... 250 mA
Off-state current	$I_r$	0 ... 0.01 mA typ. 0.1 $\mu$ A at 25 °C
No-load supply current	$I_0$	$\leq 15$ mA
Indication of the switching state	LED, yellow	

**Functional safety related parameters**

MTTF <sub>d</sub>	1530 a
Mission Time (T <sub>M</sub> )	20 a
Diagnostic Coverage (DC)	0 %

**Ambient conditions**

Ambient temperature	-25 ... 70 °C (-13 ... 158 °F)
---------------------	--------------------------------

**Mechanical specifications**

Connection type	Device connector M8 x 1, 3-pin
Housing material	PA
Sensing face	PA
Protection degree	IP67
Tightening torque, fastening screws	Threading M3 max: 1.1 Nm

**Compliance with standards and directives**

Standard conformity	
Standards	EN 60947-5-2:2007 IEC 60947-5-2:2007

**Approvals and certificates**

Protection class	II
Rated insulation voltage	$U_i$ 60 V
Design-impulse-voltage withstand	$U_{imp}$ 800 V
UL approval	cULus Listed, General Purpose
CSA approval	cCSAus Listed, General Purpose
CCC approval	Products with a maximum operating voltage of $\leq 36$ V do not bear a CCC marking because they do not require approval.

Release date: 2011-07-22 15:51 Date of issue: 2011-07-22 184378\_eng.xml