



Model Number

NBN3-F31K-Z8-K

Features

- Direct mounting on standard actuators
- Compact and stable housing
- Fixed setting
- LEDs for switching state of sensor and solenoid valve

Application

Note

The connections to this sensor are sealed with stopping plugs to protect against dirt and moisture. If not all of the connections are used in your application, then seal the remaining stopping plugs on the sensor permanently or check during initial installation and when performing regular maintenance work that the stopping plugs are secure and impermeable. If necessary, tighten the stopping plugs to a torque of 1 Nm.

Technical Data

General specifications

Switching function		2 x normally open (NO)
Output type		Two-wire
Rated operating distance	s_n	3 mm
Installation		flush mountable
Output polarity		DC
Assured operating distance	s_a	0 ... 2.43 mm
Actual operating distance	s_r	2.7 ... 3.3 mm typ. 3 mm
Reduction factor r_{A1}		0.5
Reduction factor r_{Cu}		0.4
Reduction factor r_{304}		1
Reduction factor r_{St37}		1.1
Output type		4-wire

Nominal ratings

Operating voltage	U_B	6 ... 60 V DC
Switching frequency	f	0 ... 500 Hz
Hysteresis	H	typ. 5 %
Reverse polarity protection		reverse polarity tolerant
Short-circuit protection		pulsing
Voltage drop	U_d	≤ 5.5 V
Operating current	I_L	4 ... 100 mA
Lowest operating current	I_m	4 mA
Off-state current	I_r	0.5 ... 0.9 mA typ. 0.65 mA
Time delay before availability	t_v	≤ 40 ms
Switching state indicator		LED, yellow
Valve status indicator		LED, yellow

Limit data

Tightening torque, fastening screws	0.4 Nm
-------------------------------------	--------

Functional safety related parameters

MTTF _d	570 a
Mission Time (T_M)	20 a
Diagnostic Coverage (DC)	0 %

Ambient conditions

Ambient temperature	-25 ... 70 °C (-13 ... 158 °F)
---------------------	--------------------------------

Mechanical specifications

Connection (system side)	Cage tension spring terminals
Core cross-section (system side)	1.5/2.5 mm ² flexible/rigid
Connection (valve side)	Cage tension spring terminals
Core cross-section (valve side)	1.5/2.5 mm ² flexible/rigid
Housing material	PBT
Sensing face	PBT
Degree of protection	IP67
Mass	180 g
Tightening torque, housing screws	1 Nm
Tightening torque, cable gland	M20 x 1.5 ; ≤ 7 Nm M12 x 1.5 ; ≤ 3 Nm

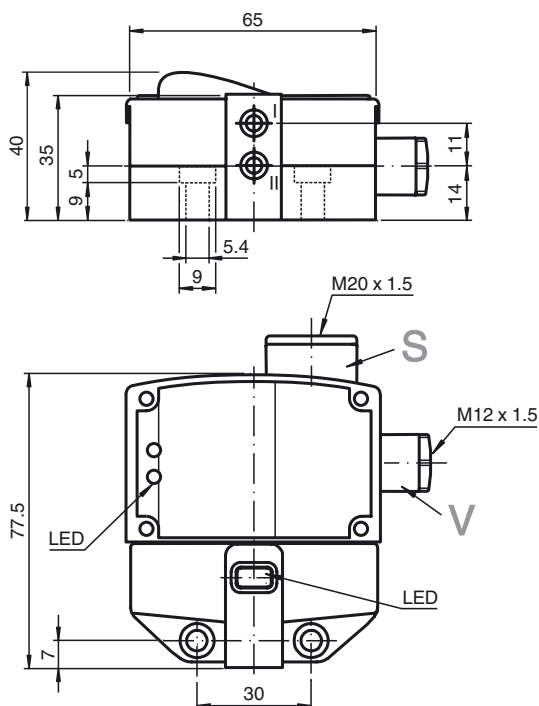
Compliance with standards and directives

Standard conformity	
Standards	EN 60947-5-2:2007 EN 60947-5-2/A1:2012 IEC 60947-5-2:2007 IEC 60947-5-2 AMD 1:2012

Approvals and certificates

UL approval	cULus Listed, General Purpose, Class 2 Power Source
-------------	---

Dimensions



Electrical Connection

