



Model Number

NBN3-F25-Z8-V1

Features

- Direct mounting on standard actuators

Accessories

BT32
Activator for F25 series

BT32XS
Activator for F25 series

BT32XAS
Activator for F25 series

BT33
Activator for F25 series

BT34
Activator for F25 series

V1-G
Female connector, M12, 4-pin, field attachable

V1-W
Female connector, M12, 4-pin, field attachable

V1-G-2M-PUR
Female cordset, M12, 4-pin, PUR cable

V1-W-2M-PUR
Female cordset, M12, 4-pin, PUR cable

Technical Data

General specifications

Switching element function	Dual (NO)
Rated operating distance	s_n 3 mm
Installation	flush mountable
Output polarity	DC
Assured operating distance	s_a 0 ... 2.43 mm
Actual operating distance	s_r 2.7 ... 3.3 mm typ.
Reduction factor r_{Al}	0.5
Reduction factor r_{Cu}	0.4
Reduction factor r_{304}	1
Reduction factor r_{S37}	1.1

Nominal ratings

Operating voltage	U_B	6 ... 60 V DC
Switching frequency	f	0 ... 500 Hz
Hysteresis	H	typ. 0.2 %
Reverse polarity protection		reverse polarity tolerant
Short-circuit protection		no
Voltage drop	U_d	≤ 5 V
Voltage drop at I_L		

Voltage drop $I_L = 10$ mA, switching element 0.8 ... 4.8 V typ. 3.8 V on U_d

Operating current	I_L	4 ... 100 mA
Lowest operating current	I_m	4 mA
Off-state current	I_r	0 ... 1 mA typ. 0.7 mA
Time delay before availability	t_v	≤ 1 ms
Switching state indicator		LED, yellow

Ambient conditions

Ambient temperature	-25 ... 70 °C (-13 ... 158 °F)
---------------------	--------------------------------

Mechanical specifications

Connection type	Connector M12 x 1, 4-pin
Housing material	PBT
Sensing face	PBT
Degree of protection	IP67
Tightening torque, fastening screws	M5 x 25 : 2.7 Nm
Note	Mounted on mechanical drive

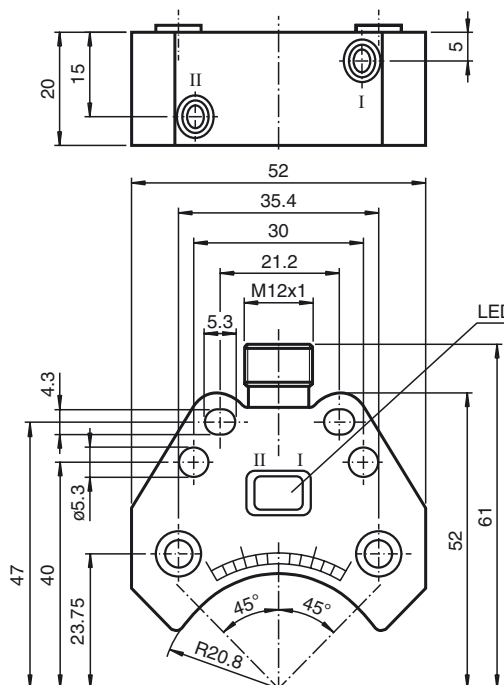
Compliance with standards and directives

Standard conformity	
Standards	EN 60947-5-2:2007 IEC 60947-5-2:2007

Approvals and certificates

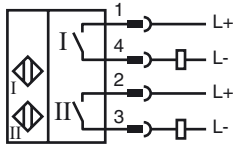
UL approval	cULus Listed, General Purpose
CSA approval	cCSAus Listed, General Purpose
CCC approval	Certified by China Compulsory Certification (CCC)

Dimensions



Release date: 2016-02-11 17:20 Date of issue: 2016-02-11 085121_eng.xml

Electrical Connection



Pinout



Wire colors in accordance with EN 60947-5-2

1	BN	(brown)
2	WH	(white)
3	BU	(blue)
4	BK	(black)