



Model Number

NBB7-F10-E1

Features

- 7 mm flush
- 3-wire DC

Technical Data

General specifications

Switching function		Normally closed (NC)
Output type		NPN
Rated operating distance	s_n	7 mm
Installation		flush
Output polarity		DC
Assured operating distance	s_a	0 ... 5.67 mm
Reduction factor r_{AI}		0.3
Reduction factor r_{CU}		0.2
Reduction factor r_{304}		0.6
Output type		3-wire

Nominal ratings

Operating voltage	U_B	10 ... 30 V
Switching frequency	f	500 Hz
Hysteresis	H	typ. 5%
Reverse polarity protection		reverse polarity protected
Short-circuit protection		pulsing
Voltage drop	U_d	≤ 3 V
Operating current	I_L	0 ... 100 mA
Off-state current	I_r	0 ... 0.5 mA typ. 0.1 μ A at 25 °C
No-load supply current	I_0	≤ 15 mA
Switching state indicator		LED, yellow

Ambient conditions

Ambient temperature		-25 ... 70 °C (-13 ... 158 °F)
---------------------	--	--------------------------------

Mechanical specifications

Connection type		cable PVC , 2 m
Core cross-section		0.34 mm ²
Housing material		PBT
Sensing face		PBT
Degree of protection		IP67

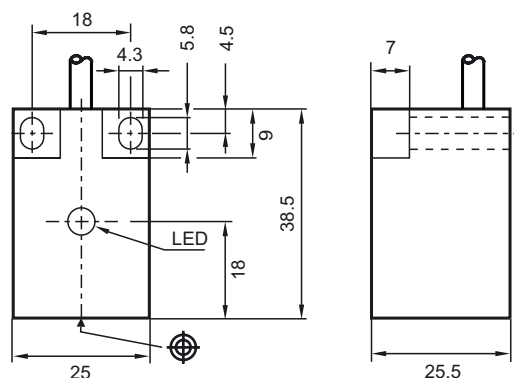
Compliance with standards and directives

Standard conformity		
Standards		EN 60947-5-2:2007 EN 60947-5-2/A1:2012 IEC 60947-5-2:2007 IEC 60947-5-2 AMD 1:2012

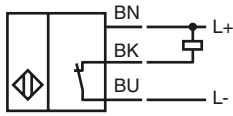
Approvals and certificates

UL approval		cULus Listed, General Purpose
CCC approval		CCC approval / marking not required for products rated ≤ 36 V

Dimensions



Electrical Connection



Release date: 2017-06-12 11:37 Date of issue: 2017-06-12 084573_eng.xml