

**Model Number****MVH500-F15-V1**Read/write head  
for IDENTControl**Features**

- 3 LEDs for function indication
- Connection via V1 (M12 x 1) plug connection
- Degree of protection IP65

**Accessories****V1-G-5M-PUR-ABG-V1-W**

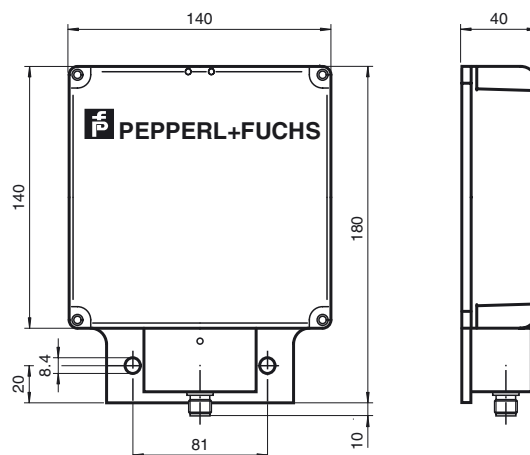
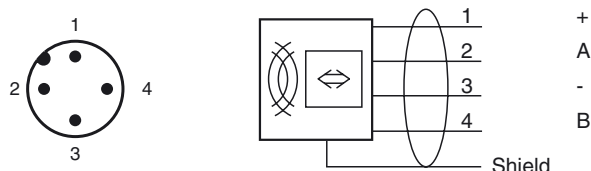
Connecting cable, M12 to M12, PUR cable 4-pin, shielded

**V1-G-10M-PUR-ABG-V1-W**

Connecting cable, M12 to M12, PUR cable 4-pin, shielded

**V1-G-20M-PUR-ABG-V1-W**

Connecting cable, M12 to M12, PUR cable 4-pin, shielded

**Dimensions****Electrical connection****Technical data****General specifications**

Operating frequency	2.45 GHz ± 200 kHz
Transfer rate	76.8 kBit/s
Emitted power	(4.3 dBm) 2.7 mW
Operating distance	0 ... 0.5 m, maximum 1.5 m
UL File Number	E87056

**Indicators/operating means**

LED green/yellow	green: power on green flashing: read/write attempt performed yellow: data carrier detected
LED Tx	communication
LED OK	No function

**Electrical specifications**

Power consumption	$P_0$	≤ 7 W
Supply		from the IDENTControl

**Standard conformity**

Electromagnetic compatibility	EN 61326, EN 301489-1, EN 301489-3, EN 300440-1
Standards	EN 60950-1

**Ambient conditions**

Ambient temperature	-20 ... 70 °C (-4 ... 158 °F)
Storage temperature	-20 ... 70 °C (-4 ... 158 °F)
Shock and impact resistance	50 g, 11 ms, in all 3 spatial axes, with 3 positive and negative accelerations on each, according to IEC 68-2-27 and IEC 68-2-47

**Mechanical specifications**

Degree of protection	IP65 according to EN 60529
Connection	M12 x 1 connector
Material	
Housing	PBT/stainless steel/aluminum
Installation	
Distance between two heads	2 m at operating distance 0.5 m
Mass	approx. 1200 g

**Notes**

**Max. cable length:**

100 m for wire cross section 4 x 0,34 mm<sup>2</sup>

150 m for wire cross section 4 x 0,50 mm<sup>2</sup>

200 m for wire cross section 4 x 0,75 mm<sup>2</sup>

Release date: 2015-11-12 15:26 Date of issue: 2015-11-12 133795\_eng.xml

Refer to "General Notes Relating to Pepperl+Fuchs Product Information".