



Model Number

MPZB07

Ball and Swivel Vertical Mounting Plate

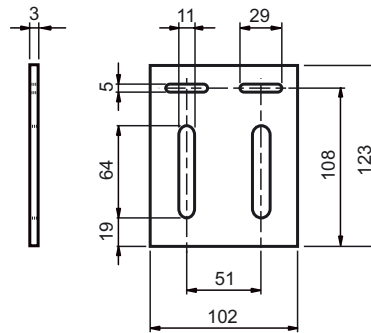
Features

- Mounting bracket

Function

This mounting bracket can be used with the MPZB06 (ball and swivel mounting bracket) to mount a sensor directly to a surface.

Dimensions



Technical data

Mechanical specifications

Material	metal
Mass	approx. 230 g

Suitable series

Series	Series 61 , MP Series
--------	-----------------------