



ML4.1-8-H-20-RT/95/110

Diffuse mode sensor with background suppression

ML4.1-8-H-20-RT/95/110

with M8, 4-pin metal connector



- ◆ Miniature design
- ◆ Precise background suppression
- ◆ Powerful push-pull output
- ◆ Very small black-white difference
- ◆ Red light design
- ◆ Not sensitive to ambient light, even with switched energy saving lamps

General specifications

| | |
|-----------------------------------|----------------------|
| Detection range | 7 ... 20 mm |
| Light source | LED |
| Black/White difference (6 %/90 %) | approx. 1 mm |
| Approvals | CE, cULus |
| Background suppression | starts from 25 mm |
| Light type | red, modulated light |
| Diameter of the light spot | 3 mm |
| Angle of divergence | approx. 8 ° |
| Ambient light limit | 40000 Lux |

Indicators/operating means

| | |
|-------------------|---|
| Operating display | LED, green |
| Function display | LED yellow, lights up with receiver lit |

Electrical specifications

| | |
|---------------------------------------|----------------|
| Operating voltage | 10 ... 30 V DC |
| Ripple | 10 % |
| No-load supply current I ₀ | 25 mA |

Output

| | |
|-----------------------|---|
| Switching type | Light/dark on selectable electrically switchable |
| Signal output | Push-pull output, short-circuit proof, protected against reverse polarity |
| Switching voltage | max. 30 V DC |
| Switching current | max. 200 mA |
| Switching frequency f | 500 Hz |
| Response time | 1 ms |

Standard conformity

| | |
|-----------|--------------|
| Standards | EN 60947-5-2 |
|-----------|--------------|

Ambient conditions

| | |
|---------------------|-------------------------------|
| Ambient temperature | -20 ... 60 °C (253 ... 333 K) |
| Storage temperature | -20 ... 75 °C (253 ... 348 K) |

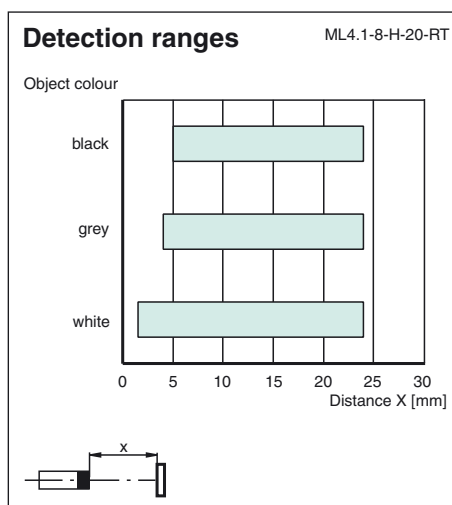
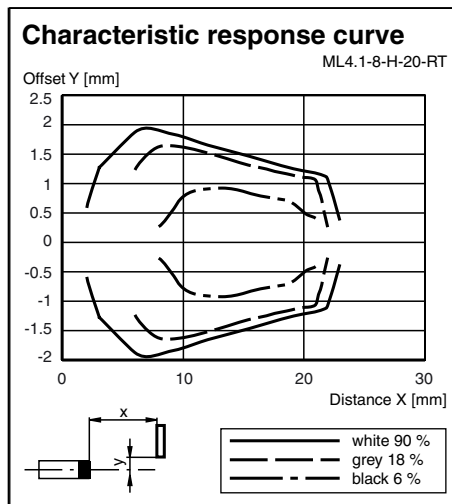
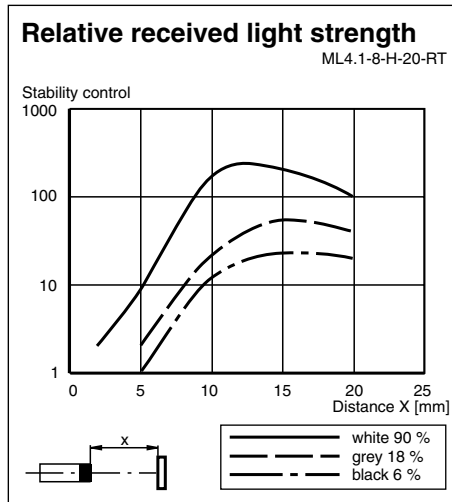
Mechanical specifications

| | |
|-------------------|---------------------|
| Protection degree | IP65 |
| Connection | M8 connector, 4-pin |
| Material | |
| Housing | ABS GV5 |
| Optical face | glass |
| Mass | 15 g |

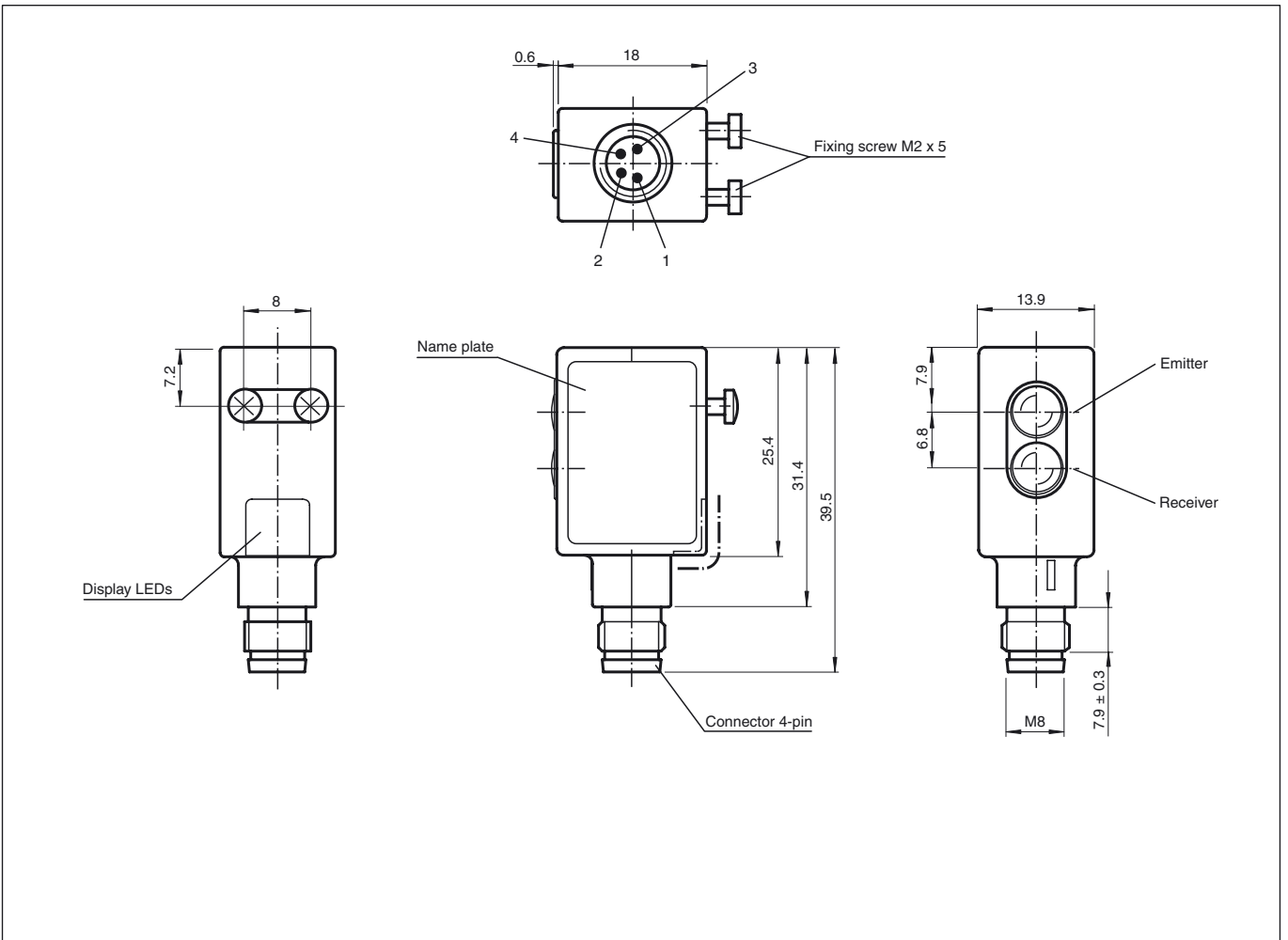
Release date: 2007-05-25 09:54 Date of issue: 2007-05-25 419270_ENG.xml



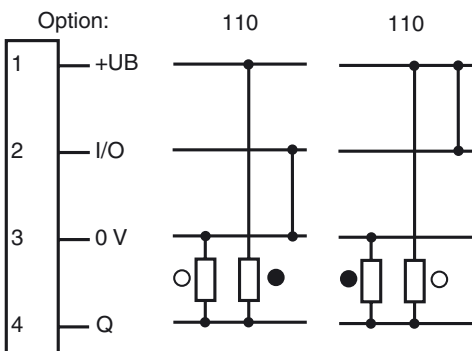
Curves/Diagrams



Dimensions



Electrical connection



○ = light on, ● = dark on

Release date: 2007-05-25 09:54 Date of issue: 2007-05-25 419270_ENG.xml