

no longer available - archive entry Alternative article: MK5186

When selecting an alternative article and accessories please note that technical data may differ!

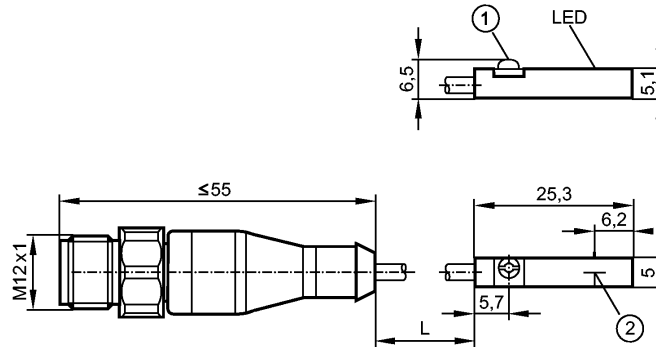
efector120

MK5120



MKT3028BANKG/G/0.3M/-H/US

Magnetic sensors, cylinder sensors



1: Fastening clamp

2: sensing face



Product characteristics

Cylinder sensor with GMR cell

Plastic housing for T-slot cylinders

Cable with connector

[f] flush mountable

Magnetic sensitivity 2.8 mT

Travel speed > 10 m/s

Electrical data

Electrical design

DC NPN

Operating voltage [V]

10...30 DC

Current consumption [mA]

< 10

Protection class

III

Reverse polarity protection

yes

Outputs

Output function

normally open

Voltage drop [V]

< 2.5

Current rating [mA]

100

Short-circuit protection

yes

Overload protection

yes

Switching frequency [Hz]

10000

Monitoring range

Magnetic sensitivity [mT]

2.8

Travel speed [m/s]

> 10

Accuracy / deviations

Hysteresis [mm]

< 1.5

Repeatability [mm]

< 0.2

Reaction times

Power-on delay time [ms]

< 30

Environment

Ambient temperature [°C]

-25...85

Protection

IP 65 / IP 67 / IP 69K

Tests / approvals

EMC

EN 61000-4-2 ESD:

- CD / 8 kV AD

EN 61000-4-3 HF radiated:

10 V/m

EN 61000-4-4 Burst:

2 kV

EN 61000-4-6 HF conducted:

10 V

EN 55011:

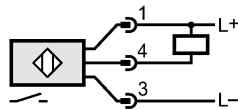
class B

MK5120 - Cylinder sensor with GMR cell - eclass: 27270104 / 27-27-01-04

Mechanical data

Mounting	flush mountable
Housing materials	housing: PA (polyamide); Fastening clamp: stainless steel
Weight [kg]	0.021
Displays / operating elements	
Output status indication LED	yellow
Electrical connection	
Connection	PVC cable / 0.3 m; with M12 connector, with rotatable stainless steel hexagon nut

Wiring



Accessories

Accessories (included)	rubber placeholder; cable clip
Remarks	
Remarks	cULus - Class 2 source required Clamping screw with combined slot/hexagon socket head AF 1.5
Pack quantity [piece]	1

ifm efector, inc. • 1100 Atwater Drive • Malvern • PA 19355 — We reserve the right to make technical alterations without prior notice. — US — MK5120 — 26.11.2009

no longer available - archive entryAlternative article: MK5186

When selecting an alternative article and accessories please note that technical data may differ!