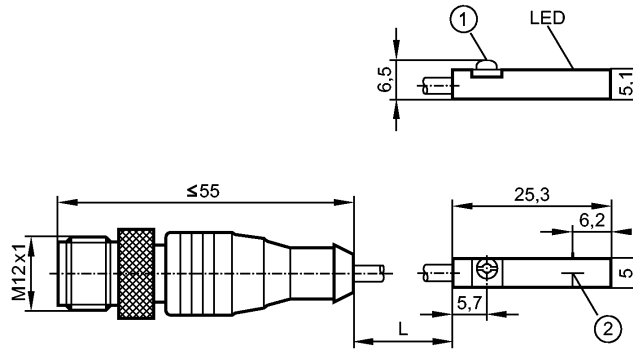


MK5108

MKT3028BBPKG/G/0.3M/ZH/US

Magnetic sensors, cylinder sensors



- 1: Fastening clamp
- 2: sensing face



Product characteristics

Cylinder sensor with GMR cell
Plastic housing for T-slot cylinders
Cable with connector
[f] flush mountable
Magnetic sensitivity 2.8 mT
Travel speed > 10 m/s

Electrical data

Electrical design	DC PNP
Operating voltage [V]	10...30 DC
Current consumption [mA]	< 10
Protection class	III
Reverse polarity protection	yes

Outputs

Output function	normally open
Voltage drop [V]	< 2.5
Current rating [mA]	200
Short-circuit protection	yes
Overload protection	yes
Switching frequency [Hz]	10000

Monitoring range

Magnetic sensitivity [mT]	2.8
Travel speed [m/s]	> 10

Accuracy / deviations

Hysteresis [mm]	< 1.5
Repeatability [mm]	< 0.2

Reaction times

Power-on delay time [ms]	< 30
--------------------------	------

Environment

Ambient temperature [°C]	-25...85
Protection	IP 65 / IP 67

Tests / approvals

EMC	EN 61000-4-2 ESD:	- CD / 8 kV AD
-----	-------------------	----------------



MK5108

MKT3028BBPKG/G/0.3M/ZH/US

Magnetic sensors, cylinder sensors

	EN 61000-4-3 HF radiated:	10 V/m
	EN 61000-4-4 Burst:	2 kV
	EN 61000-4-6 HF conducted:	10 V
	EN 55011:	class B
MTTF	[Years]	3694
UL approval number		C003

Mechanical data

Mounting		flush mountable
Housing materials		housing: PA (polyamide); Fastening clamp: stainless steel
Weight	[kg]	0.021

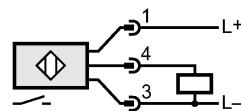
Displays / operating elements

Output status indication	LED	yellow
--------------------------	-----	--------

Electrical connection

Connection		PUR cable / 0.3 m; with M12 connector, with turnable coupling ring
------------	--	--

Wiring



Accessories

Accessories (included)		rubber placeholder; cable clip
------------------------	--	--------------------------------

Remarks

Remarks		cULus - Class 2 source required; enclosure type 1 Clamping screw with combined slot/hexagon socket head AF 1.5
---------	--	---

Pack quantity	[piece]	1
---------------	---------	---