

no longer available - archive entry replaced by: MK5113 + E11797

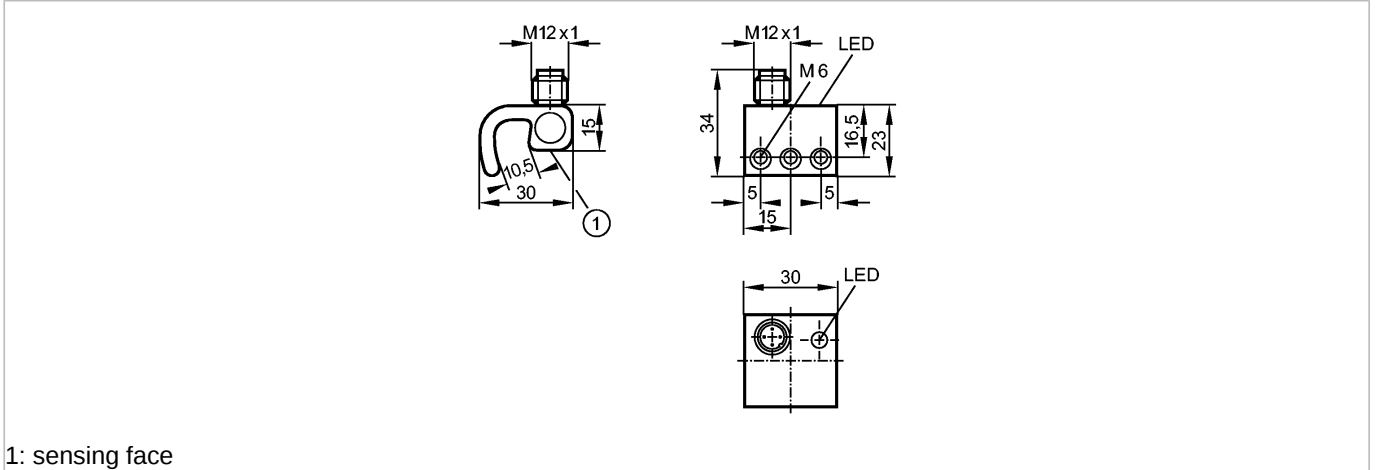
**efector120**

MK5032



MKZ3000-ANKG/US

Magnetic sensors, cylinder sensors



1: sensing face



Product characteristics

Cylinder sensor

Metal housing for tie rod cylinder

Quick disconnect

Magnetic sensitivity 3 mT

Travel speed max. 5 m/s

Active face at the front

Electrical data

Electrical design

DC NPN

Operating voltage [V]

10...30 DC

Current consumption [mA]

< 10

Reverse polarity protection

yes

Outputs

Output function

normally open

Voltage drop [V]

< 2

Current rating [mA]

300

Short-circuit protection

yes (non-latching)

Overload protection

yes

Switching frequency [Hz]

5000

Monitoring range

Magnetic sensitivity [mT]

3

Travel speed [m/s]

max. 5

Accuracy / deviations

Hysteresis [mm]

1

Repeatability [mm]

0.1

Reaction times

Power-on delay time [ms]

< 2

Environment

Ambient temperature [°C]

-25...75

Protection

IP 67

Tests / approvals

EMC

EN 60947-5-2

Shock / vibration resistance

30 g (11 ms) / 10-55 Hz (1 mm)

Mechanical data

sensing face

Active face at the front

Housing materials

aluminum; plastics

Weight [kg]

0.05

# MK5032 - Cylinder sensor - eclass: 27270104 / 27-27-01-04

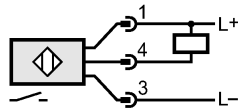
Displays / operating elements

Output status indication LED | yellow

Electrical connection

Connection | M12 connector

## Wiring



Remarks

Pack quantity [piece] | 1

ifm efector, inc. • 1100 Atwater Drive • Malvern • PA 19355 — We reserve the right to make technical alterations without prior notice. — US — MK5032 — 06.03.2003  
no longer available - archive entry replaced by: MK5113 + E11797