



Model Number

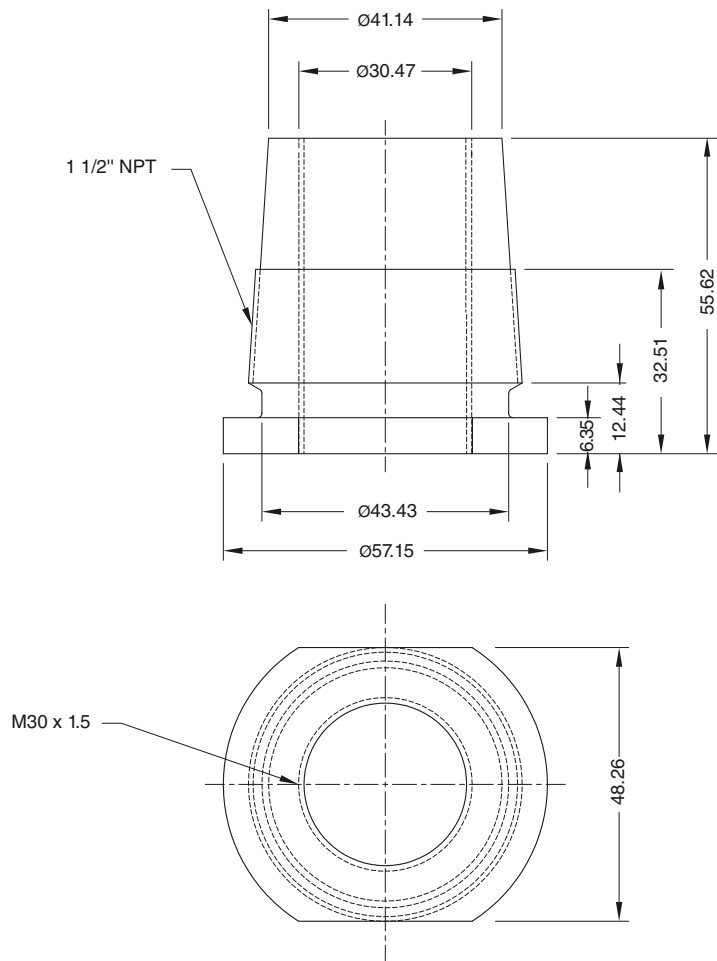
M-105

Sensor well

Features

- For use with 30GM series Ultrasonic sensors
- sensor not included

Dimensions



Technical data

Mechanical specifications

Material	PTFE
Note	sensor not included with delivery