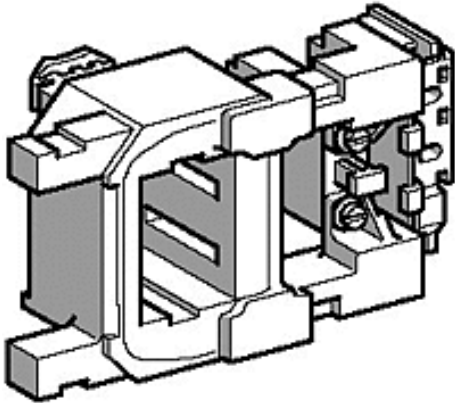




Product availability : Stock - Normally stocked in distribution facility



### Main

Range	TeSys
Product or component type	Contactor coil
Device short name	LX4FH
Range compatibility	TeSys F LC1F contactor
Control circuit type	DC low consumption
[Uc] control circuit voltage	24 V DC
Average resistance	0.9 Ohm inrush at 68 °F (20 °C) 192 Ohm holding at 68 °F (20 °C)
Inductance of closed circuit	26.3 H
Product compatibility	LC1F265 LC1F330
Operating time	40...50 ms closing 40...65 ms opening
Mechanical durability	10 Mcycles
Operating rate	2400 cyc/h at <= 131 °F (55 °C)

### Complementary

Coil technology	Without built-in suppressor module
Control circuit voltage limits	0.15...0.2 Uc at 131 °F (55 °C) drop-out 0.85...1.1 Uc at 131 °F (55 °C) operational
Inrush power in W	750 W at 68 °F (20 °C)
Hold-in power consumption in W	5 W at 68 °F (20 °C)

### Environment

Ambient air temperature for operation	> 23...131 °F (> -5...55 °C)
Product weight	1.63 lb(US) (0.74 kg)

### Ordering and shipping details

Category	22341 - CONTACTOR,D,K,&F ACCESS
Discount Schedule	I12
GTIN	00785901441847
Nbr. of units in pkg.	1
Package weight(Lbs)	1.9299999999999999
Returnability	N
Country of origin	CZ

### Contractual warranty

Warranty period	18 months
-----------------	-----------