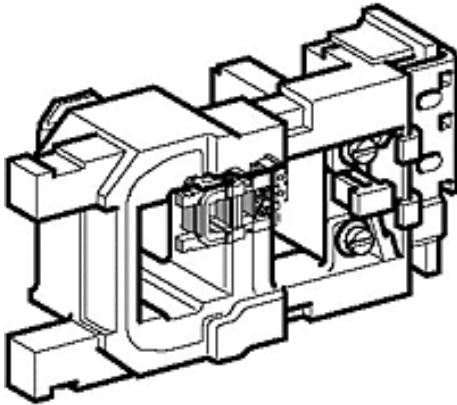




Product availability : Stock - Normally stocked in distribution facility



Main

Range	TeSys
Product or component type	Contacteur coil
Device short name	LX4FF
Range compatibility	TeSys F LC1F contacteur
Control circuit type	DC low consumption
[Uc] control circuit voltage	250 V DC
Average resistance	105 Ohm inrush at 68 °F (20 °C) 13000 Ohm holding at 68 °F (20 °C)
Inductance of closed circuit	868 H
Product compatibility	LC1F115 LC1F150
Operating time	30...40 ms closing 30...50 ms opening
Mechanical durability	10 Mcycles
Operating rate	2400 cyc/h at <= 131 °F (55 °C)

Complementary

Coil technology	Without built-in suppressor module
Control circuit voltage limits	0.15...0.2 Uc at 131 °F (55 °C) drop-out 0.85...1.1 Uc at 131 °F (55 °C) operational
Inrush power in W	560 W at 68 °F (20 °C)
Hold-in power consumption in W	4.5 W at 68 °F (20 °C)

Environment

Ambient air temperature for operation	> 23...131 °F (> -5...55 °C)
Product weight	0.95 lb(US) (0.43 kg)

Ordering and shipping details

Category	22341 - CONTACTOR,D,K,&F ACCESS
Discount Schedule	I12
GTIN	00785901599029
Nbr. of units in pkg.	1
Package weight(Lbs)	1.0700000000000001
Returnability	N
Country of origin	CZ

Contractual warranty

Warranty period	18 months
-----------------	-----------