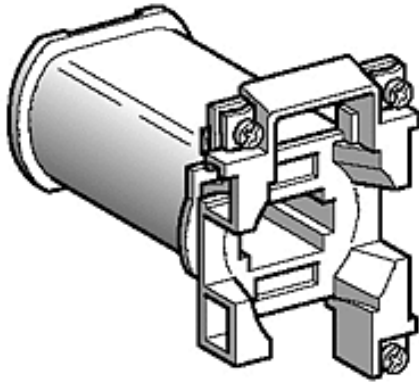




Product availability : Stock - Normally stocked in distribution facility



Main

Range	TeSys
Product or component type	Contacteur coil
Device short name	LX4D2
[Uc] control circuit voltage	24 V DC
Product compatibility	LC1D09...D18

Complementary

Range compatibility	TeSys contacteur
---------------------	------------------

Ordering and shipping details

Category	22341 - CONTACTEUR,D,K,&F ACCESS
Discount Schedule	I12
GTIN	00785901261087
Nbr. of units in pkg.	1
Package weight(Lbs)	0.5300000000000003
Returnability	N
Country of origin	FR

Contractual warranty

Warranty period	18 months
-----------------	-----------