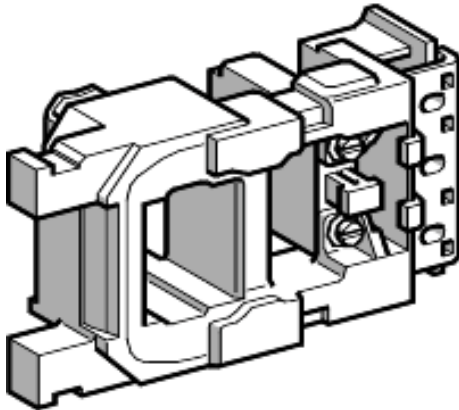




Product availability : Stock - Normally stocked in distribution facility



### Main

Range	TeSys
Product or component type	Contacteur coil
Device short name	LX1FG
Range compatibility	TeSys F LC1F contacteur
Control circuit type	AC 50 Hz
[Uc] control circuit voltage	20 V AC 50/60 Hz
Product compatibility	LC1F225 LC1F185
Operating time	20...35 ms closing 7...15 ms opening
Mechanical durability	10 Mcycles
Operating rate	2400 cyc/h at <= 131 °F (55 °C)

### Complementary

Coil technology	Without built-in suppressor module
Control circuit voltage limits	0.35...0.55 Uc at 131 °F (55 °C) drop-out 50/60 Hz 0.85...1.1 Uc at 131 °F (55 °C) operational 50/60 Hz
Inrush power in VA	805 VA at 68 °F (20 °C) (cos φ 0.3) 50 Hz
Hold-in power consumption in VA	55 VA at 68 °F (20 °C) (cos φ 0.3) 50 Hz
Heat dissipation	18...24 W at 50 Hz

### Environment

Ambient air temperature for operation	> 23...131 °F (> -5...55 °C)
Product weight	1.21 lb(US) (0.55 kg)

### Ordering and shipping details

Category	22341 - CONTACTOR,D,K,&F ACCESS
----------	---------------------------------

Discount Schedule	I12
GTIN	00785901226826
Nbr. of units in pkg.	1
Package weight(Lbs)	1.2
Returnability	N
Country of origin	CZ

### Contractual warranty

Warranty period	18 months
-----------------	-----------