

Product data sheet

Characteristics

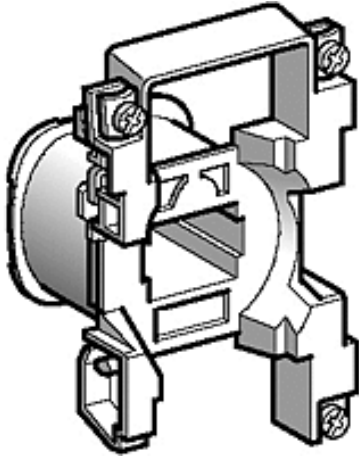
LX1D4M7

coil LX1-D - 220..230 V AC 50/60Hz

Product availability : Stock - Normally stocked in distribution facility

Electrol

www.electrolsupply.com
sales@electrolsupply.com
1-800-663-6576



Main

Range	TeSys
Product or component type	Contacteur coil
Device short name	LX1D4
[Uc] control circuit voltage	220...230 V AC 50/60 Hz
Product compatibility	LC1D25...D32

Complementary

Range compatibility	TeSys contacteur
---------------------	------------------

Ordering and shipping details

Category	22341 - CONTACTEUR,D,K,&F ACCESS
Discount Schedule	I12
GTIN	00785901260844
Nbr. of units in pkg.	1
Package weight(Lbs)	0.20999999999999999
Returnability	N
Country of origin	FR

Contractual warranty

Warranty period	18 months
-----------------	-----------