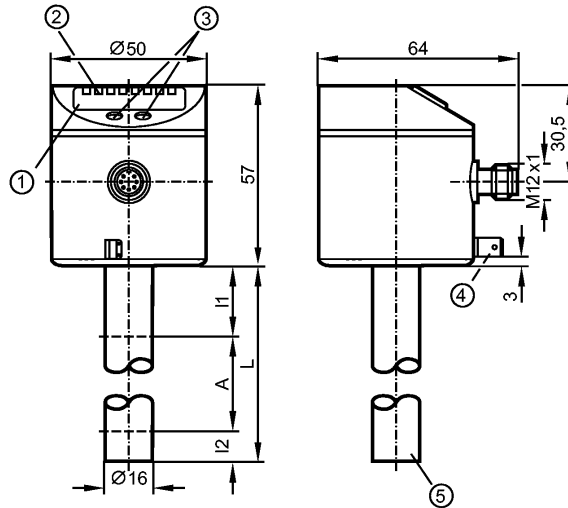




LT0728B-B-00KSPKG/US

Level sensors



- 1: 4-digit alphanumeric display
- 2: status LEDs
- 3: Programming buttons
- 4: Housing connection (flat-pin connector 6.3 mm following DIN 46244)
- 5: Position of the temperature measuring element



Product characteristics

Electronic level and temperature sensor

Quick disconnect

Probe length: L = 728 mm

2 outputs for level monitoring (OUT1, OUT2)

2 outputs for temperature monitoring (OUT3, OUT4)

4-digit alphanumeric display

Application

Application

oils

Recommended media

oils

Dielectric constant medium

> 2

**Medium temperature oil**

- Continuous [°C]

0...70

- Short time [°C]

0...90

Maximum speed of the change of level [mm/s]

300

Electrical data

Electrical design

DC PNP

Operating voltage [V]

18...30 DC <sup>1)</sup>

Current consumption [mA]

< 60

Protection class

III

Reverse polarity protection

yes

Outputs

Output

2 outputs for level monitoring (OUT1, OUT2)  
2 outputs for temperature monitoring (OUT3, OUT4)

**LT8024 - Electronic level and temperature sensor - eclass: 27371813 / 27-37-18-13**

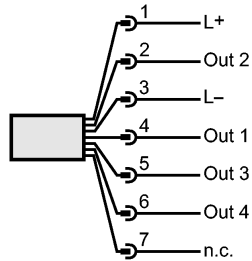
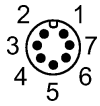
Output function		2 x normally open / closed programmable (level) 2 x normally open / closed programmable (temperature)
Current rating [mA]		200
Voltage drop [V]		< 2.5
Short-circuit protection		thermal, pulsed
Overload protection		yes
Measuring / setting range		
Probe length L [mm]		728
Active range A [mm]		585
Inactive range I1 / I2 [mm]		102 / 40
Setting range		
Set point, SP [mm]		60..580
Reset point, rP [mm]		50..570
in steps of [mm]		10
Hysteresis [mm]		5
Reference point OP [mm]		200 - 240 - 280 - 310 - 350 - 390 - 420 - 460 - 500 - 530 - 570 - 610
Hysteresis OP [mm]		4
Temperature monitoring		
Measuring range [°C]		-10...100 **)
Set point, SP [°C]		0.5...90
Reset point, rP [°C]		0.0...89.5
in steps of [°C]		0.5
Hysteresis [K]		0.5
Accuracy / deviations		
Deviations (% of value of measuring range)		
Switch point accuracy		± 5
Repeatability		± 2
Resolution [mm]		10
Temperature monitoring		
Accuracy [K]		± 1
Resolution [K]		0.5
Dynamic response (T09) [s]		90 (DIN EN 60751)
Reaction times		
Power-on delay time [s]		3
Software / programming		
Programming options		hysteresis / window function; N.O. / N.C; position of SP/rP; position of OP; OP adjustment; medium adjustment; offset; display unit
Environment		
Ambient temperature [°C]		0...60
Storage temperature [°C]		-25...80
Maximum vessel pressure [bar]		0.5 (mounted with mounting accessories E43001 - E43007)
Protection		IP 67
Tests / approvals		
EMC		EN 61000-4-2 ESD: 4 kV CD / 8 kV AD EN 61000-4-3 HF radiated: 10 V/m EN 61000-4-4 Burst: 2 kV EN 61000-4-5 Surge: 0.5/1 kV EN 61000-4-6 HF conducted: 10 V
Shock resistance		DIN EN 60068-2-29: 15 g (11 ms)
Vibration resistance		DIN EN 60068-2-6 5 g (10...2000 Hz)
MTTF [Years]		224
Mechanical data		
Materials (wetted parts)		PP (polypropylene)
Housing materials		FKM; NBR; PBT; PC; PP; TPE / V; stainless steel
Weight [kg]		0.509
Displays / operating elements		
Display		Display unit 4 x LED green (cm, inch, °C, °F) Switching status 4 x LED yellow

**LT8024 - Electronic level and temperature sensor - eclass: 27371813 / 27-37-18-13**

	Measured values 4-digit alphanumeric display Programming 4-digit alphanumeric display
--	--

Electrical connection Connection	M12 connector (according to EN 61076-2-101); gold-plated contacts
-------------------------------------	---

**Wiring**



Remarks	n.c. = not connected **) permissible medium temperature: see line "medium temperature" 1) cULus - Class 2 source required
---------	---

Pack quantity	[piece]	1
---------------	---------	---