

no longer available - archive entry replaced by: LR7000 + E43205

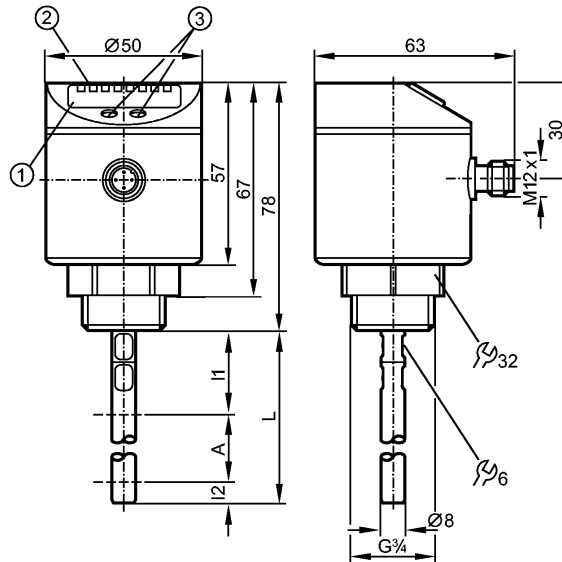
efector160

LR7024



LR0700B-BR34AQPKG/US

Level sensors



- 1: 4-digit alphanumeric display
- 2: status LEDs
- 3: Programming buttons



Product characteristics

Electronic level sensor

Quick disconnect

Process connection: G 3/4 A

Guided wave radar

Freely rotatable housing 360°

Probe length: L = 700 mm

2 switching outputs

4-digit alphanumeric display

Application

Application

Hydrous coolants, water, media similar to water

Recommended media

Hydrous coolants, water, media similar to water

Cannot be used for:

oils, grease, granulates, bulk material, acids, alkalis; food and electroplating applications

Dielectric constant medium

> 20

Medium temperature [°C]

0...80

Maximum speed of the change of level [mm/s]

100

Electrical data

Electrical design

DC PNP

Operating voltage [V]

18...30 DC

Current consumption [mA]

< 80

Protection class

III

Reverse polarity protection

yes

Outputs

Output

2 switching outputs

Output function

2 x normally open / closed programmable

Current rating [mA]

200


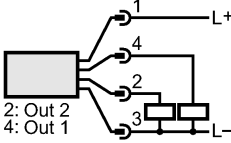
Voltage drop [V]

< 2.5

Short-circuit protection

thermal, pulsed

LR7024 - Electronic level sensor - eclass: 27200513 / 27-20-05-13

Overload protection	yes
Measuring / setting range	
Probe length L [mm]	700
Active range A [mm]	650
Inactive range I1 / I2 [mm]	40/10
Setting range	
Set point, SP [mm]	15...660
Reset point, rP [mm]	10...650
in steps of [mm]	5
Hysteresis [mm]	5
Accuracy / deviations	
Deviations (% of value of measuring range)	
Switch point accuracy	± 5
Repeatability	± 2
Reaction times	
Power-on delay time [s]	3
Environment	
Ambient temperature [°C]	0...60
Storage temperature [°C]	-25...80
Maximum vessel pressure [bar]	0.5
Protection	IP 67
Tests / approvals	
EMC	EN 61000-4-2 ESD: 4 kV CD / 8 kV AD EN 61000-4-3 HF radiated: 10 V/m EN 61000-4-4 Burst: 2 kV EN 61000-4-6 HF conducted: 10 V
Shock resistance	DIN EN 60068-2-29: 12 g (11 ms)
Vibration resistance	2.5 g (RMS, 1...1000 Hz)
Mechanical data	
Process connection	G ¾ A
Materials (wetted parts)	stainless steel (303S22); PTFE; NBR
Housing materials	stainless steel (304S15); FKM; NBR; PBT; PC; PEI; TPE / V; PTFE
Weight [kg]	0.692
Displays / operating elements	
Display	Display unit 2 x LED green Switching status 2 x LED yellow Level 4-digit alphanumeric display Programming 4-digit alphanumeric display
Electrical connection	
Connection	M12 connector (according to EN 61076-2-101); gold-plated contacts
Wiring	
Programming of the output function: Hno = hysteresis / normally open Hnc = hysteresis / normally closed Fno = window function / normally open Fnc = window function / normally closed	 
Accessories	
Accessories (included)	sealing (Tesnit)
Remarks	
Pack quantity [piece]	1