

no longer available - archive entry replaced by: LR7000 + E43203

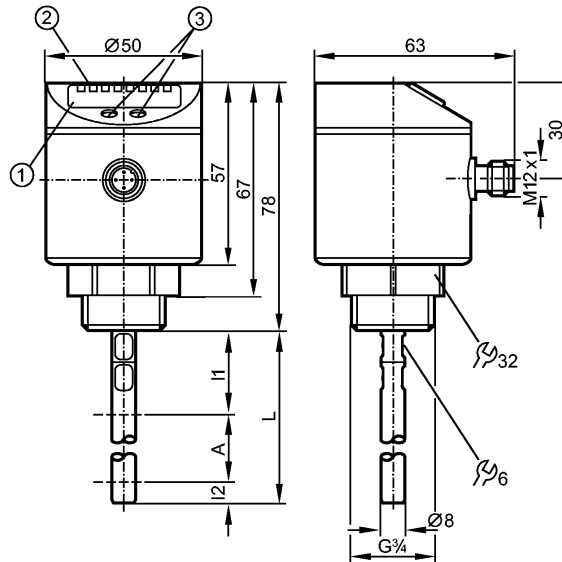
efector160

LR7022



LR0240B-BR34AQPKG/US

Level sensors



- 1: 4-digit alphanumeric display
- 2: status LEDs
- 3: Programming buttons



Product characteristics

Electronic level sensor

Quick disconnect

Process connection: G 3/4 A

Guided wave radar

Freely rotatable housing 360°

Probe length: L = 240 mm

2 switching outputs

4-digit alphanumeric display

Application

Application

Hydrous coolants, water, media similar to water

Recommended media

Hydrous coolants, water, media similar to water

Conditionally suitable for:

acids or alkalis, in hygienic areas or in electroplating applications (check the compatibility of the materials with the media to be monitored!)

Cannot be used for:

media with a dielectric constant < 20 (e.g. oils, fats, plastic granulates, bulk material)

Dielectric constant medium

> 20

Medium temperature [°C]

0...80

Maximum speed of the change of level [mm/s]

100

Electrical data

Electrical design

DC PNP

Operating voltage [V]

18...30 DC

Current consumption [mA]

< 80

Protection class

III

Reverse polarity protection

yes

Outputs

Output

2 switching outputs

Output function

2 x normally open / closed programmable

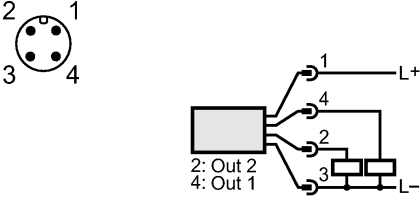
Current rating [mA]

200

Voltage drop [V]

< 2.5

LR7022 - Electronic level sensor - eclass: 27200513 / 27-20-05-13

| | |
|---|---|
| Short-circuit protection | thermal, pulsed |
| Overload protection | yes |
| Measuring / setting range | |
| Probe length L [mm] | 240 |
| Active range A [mm] | 190 |
| Inactive range I1 / I2 [mm] | 40/10 |
| Setting range | |
| Set point, SP [mm] | 15...200 |
| Reset point, rP [mm] | 10...195 |
| in steps of [mm] | 5 |
| Hysteresis [mm] | 5 |
| Accuracy / deviations | |
| Deviations (% of value of measuring range) | |
| Switch point accuracy | ± 5 |
| Repeatability | ± 2 |
| Reaction times | |
| Power-on delay time [s] | 3 |
| Environment | |
| Ambient temperature [°C] | 0...60 |
| Storage temperature [°C] | -25...80 |
| Maximum vessel pressure [bar] | 0.5 |
| Protection | IP 67 |
| Tests / approvals | |
| EMC | EN 61000-4-2 ESD: 4 kV CD / 8 kV AD EN 61000-4-3 HF radiated: 10 V/m EN 61000-4-4 Burst: 2 kV EN 61000-4-6 HF conducted: 10 V |
| Shock resistance | DIN EN 60068-2-29: 12 g (11 ms) |
| Vibration resistance | 2.5 g (RMS, 1...1000 Hz) |
| Mechanical data | |
| Process connection | G ¾ A |
| Materials (wetted parts) | stainless steel (303S22); PTFE; NBR |
| Housing materials | stainless steel (304S15); FKM; NBR; PBT; PC; PEI; TPE / V; PTFE |
| Weight [kg] | 0.43 |
| Displays / operating elements | |
| Display | Display unit 2 x LED green Switching status 2 x LED yellow Level 4-digit alphanumeric display Programming 4-digit alphanumeric display |
| Electrical connection | |
| Connection | M12 connector (according to EN 61076-2-101); gold-plated contacts |
| Wiring | |
| Programming of the output function: Hno = hysteresis / normally open Hnc = hysteresis / normally closed Fno = window function / normally open Fnc = window function / normally closed |  |
| Accessories | |
| Accessories (included) | sealing (Tesnit) |
| Remarks | |
| Pack quantity [piece] | 1 |