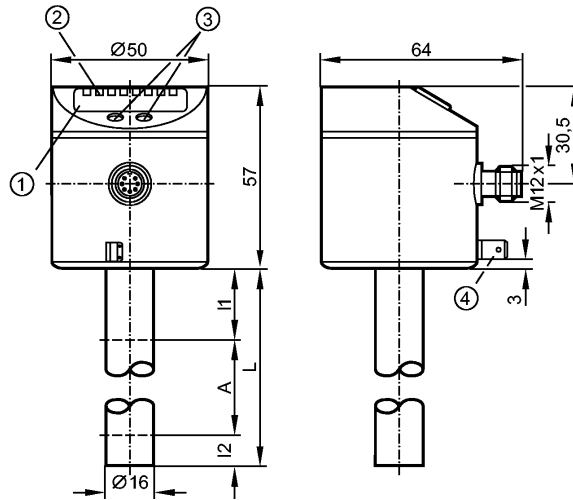


LK8124

LK0728B-B-00KVPKG/US

Level sensors

Technical note: PDF



- 1: 4-digit alphanumeric display
- 2: status LEDs
- 3: Programming buttons
- 4: Housing connection (flat-pin connector 6.3 mm following DIN 46244)



Product characteristics

Electronic level sensor

Quick disconnect

Probe length: L = 728 mm

3 operating outputs (OUT1...OUT3)

1 overflow output (OUT-OP)

Indication of the level as a 8-4-2-1 binary code

4-digit alphanumeric display

Application

Application	Hydrous coolants, oils, water, media similar to water
Cannot be used for:	extremely conductive and adhering media, granulates and bulk materials, acids and alkalis, food and electroplating applications
Dielectric constant medium	> 2
Medium temperature oil	
- Continuous [°C]	0...70
- Short time [°C]	0...90
Medium temperature water and hydrous media [°C]	0...35 (LK8124 + E43102: 0...55) **
Medium temperature coolant emulsions [°C]	0...35 (LK8124 + E43102: 0...55) **
Maximum speed of the change of level [mm/s]	300

Electrical data

Electrical design	DC PNP
Operating voltage [V]	18...30 DC
Current consumption [mA]	< 60
Protection class	III
Reverse polarity protection	yes

Outputs

LK8124

LK0728B-B-00KVPKG/US

Level sensors

Output	3 operating outputs (OUT1...OUT3) 1 overflow output (OUT-OP) Indication of the level as a 8-4-2-1 binary code	
Output function	3 x normally open / closed programmable (OUT1...OUT3); 1 x normally open / closed programmable (OUT-OP)	
Current rating [mA]	200	
Voltage drop [V]	< 2.5	
Short-circuit protection	thermal, pulsed	
Overload protection	yes	
Measuring / setting range		
Probe length L [mm]	728	
Active range A [mm]	585	
Inactive range I1 / I2 [mm]	102 / 40	
Setting range		
Set point, SP [mm]	60...580	
Reset point, rP [mm]	50...570	
in steps of [mm]	10	
Hysteresis [mm]	10	
Overflow switch point OP [mm]	200 - 240 - 280 - 310 - 350 - 390 - 420 - 460 - 500 - 530 - 570 - 610	
Hysteresis OP [mm]	4	
Accuracy / deviations		
Deviations (% of value of measuring range)		
Switch point accuracy	± 5	
Repeatability	± 2	
Reaction times		
Power-on delay time [s]	3	
Software / programming		
Programming options	hysteresis / window function; N.O. / N.C; position of SP/rP; position of OP; OP adjustment; medium adjustment; offset; display unit; switching mode / binary mode	
Environment		
Ambient temperature [°C]	0...60	
Storage temperature [°C]	-25...80	
Maximum vessel pressure [bar]	0.5 (mounted with mounting accessories E43001 - E43007)	
Protection	IP 67	
Tests / approvals		
EMC	EN 61000-4-2 ESD:	4 kV CD / 8 kV AD
	EN 61000-4-3 HF radiated:	10 V/m
	EN 61000-4-4 Burst:	2 kV
	EN 61000-4-6 HF conducted:	10 V
Shock resistance	DIN EN 60068-2-29:	15 g (11 ms)
Vibration resistance	DIN EN 60068-2-6	5 g (10...2000 Hz)
MTTF [Years]	227	
Mechanical data		
Materials (wetted parts)	PP	
Housing materials	stainless steel (304S15); FKM; NBR; PBT; PC; PEI; PP; TPE / V	
Weight [kg]	0.503	
Displays / operating elements		

LK8124

LK0728B-B-00KVPKG/US

Level sensors

Display	Display unit 2 x LED green Switching status 4 x LED yellow Measured values 4-digit alphanumeric display Programming 4-digit alphanumeric display
---------	---

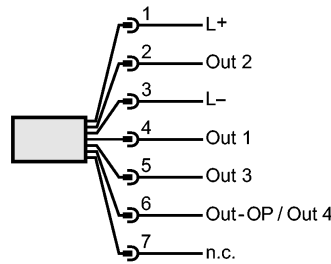
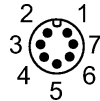
Electrical connection

Connection	M12 connector (according to EN 61076-2-101); gold-plated contacts
------------	---

Wiring

Output configuration in switching mode:
 OUT1...OUT3 = operating outputs
 OUT-OP = overflow output

Output configuration in binary mode:
 OUT1...OUT4 = 8-4-2-1 binary code for level



Remarks

Remarks	cULus - Class 2 source required n.c. = not connected **) for water and hydrous media with temperatures > 35 °C install the unit into a climatic tube (order no. E43102)
---------	---

Pack quantity	[piece]	1
---------------	---------	---