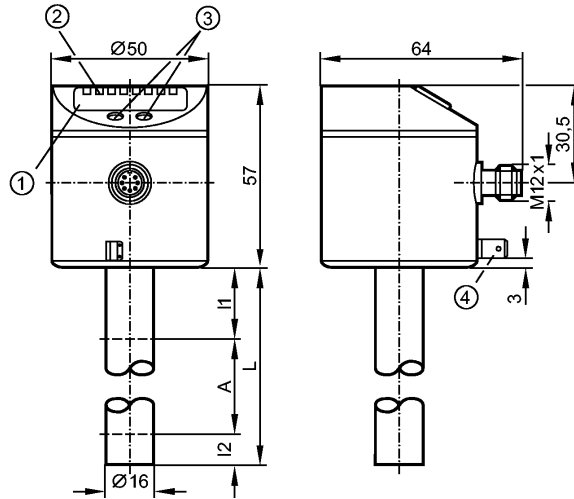




LK0472B-B-00KVPKG/US

Level sensors



- 1: 4-digit alphanumeric display
- 2: status LEDs
- 3: Programming buttons
- 4: Housing connection (flat-pin connector 6.3 mm following DIN 46244)



Product characteristics

Electronic level sensor

Quick disconnect

Probe length: L = 472 mm

3 operating outputs (OUT1...OUT3)

1 overflow output (OUT-OP)

Indication of the level as a 8-4-2-1 binary code

4-digit alphanumeric display

Application

Application

Cannot be used for:

Dielectric constant medium

**Medium temperature oil**

- Continuous [°C]

- Short time [°C]

Medium temperature water and hydrous media [°C]

Medium temperature coolant emulsions [°C]

Maximum speed of the change of level [mm/s]

Electrical data

Electrical design

Operating voltage [V]

Current consumption [mA]

Protection class

Reverse polarity protection

Outputs

Output

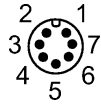
Application	Hydrous coolants, oils, water, media similar to water
Cannot be used for:	extremely conductive and adhering media, granulates and bulk materials, acids and alkalis, food and electroplating applications
Dielectric constant medium	> 2
<b>Medium temperature oil</b>	
- Continuous [°C]	0...70
- Short time [°C]	0...90
Medium temperature water and hydrous media [°C]	0...35 (LK8123 + E43101: 0...60) **)
Medium temperature coolant emulsions [°C]	0...35 (LK8123 + E43101: 0...60) **)
Maximum speed of the change of level [mm/s]	200
Electrical data	
Electrical design	DC PNP
Operating voltage [V]	18...30 DC
Current consumption [mA]	< 60
Protection class	III
Reverse polarity protection	yes
Outputs	
Output	3 operating outputs (OUT1...OUT3) 1 overflow output (OUT-OP) Indication of the level as a 8-4-2-1 binary code

## LK8123 - Electronic level sensor - eclass: 27371813 / 27-37-18-13

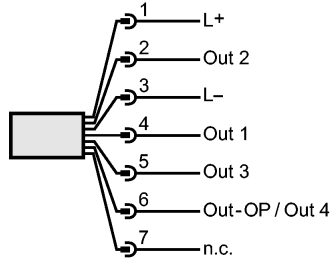
Output function	3 x normally open / closed programmable (OUT1...OUT3); 1 x normally open / closed programmable (OUT-OP)	
Current rating [mA]	200	
Voltage drop [V]	< 2.5	
Short-circuit protection	thermal, pulsed	
Overload protection	yes	
Measuring / setting range		
Probe length L [mm]	472	
Active range A [mm]	390	
Inactive range I1 / I2 [mm]	53 / 30	
Setting range		
Set point, SP [mm]	40...390	
Reset point, rP [mm]	35...385	
in steps of [mm]	5	
Hysteresis [mm]	5	
Overflow switch point OP [mm]	139 - 163 - 188 - 212 - 236 - 261 - 285 - 310 - 334 - 358 - 383 - 407	
Hysteresis OP [mm]	3	
Accuracy / deviations		
Deviations (% of value of measuring range)		
Switch point accuracy	± 5	
Repeatability	± 2	
Reaction times		
Power-on delay time [s]	3	
Software / programming		
Programming options	hysteresis / window function; N.O. / N.C; position of SP/rP; position of OP; OP adjustment; medium adjustment; offset; display unit; switching mode / binary mode	
Environment		
Ambient temperature [°C]	0...60	
Storage temperature [°C]	-25...80	
Maximum vessel pressure [bar]	0.5 (mounted with mounting accessories E43001 - E43007)	
Protection	IP 67	
Tests / approvals		
EMC	EN 61000-4-2 ESD: 4 kV CD / 8 kV AD EN 61000-4-3 HF radiated: 10 V/m EN 61000-4-4 Burst: 2 kV EN 61000-4-6 HF conducted: 10 V	
Shock resistance	DIN EN 60068-2-29: 15 g (11 ms)	
Vibration resistance	DIN EN 60068-2-6 5 g (10...2000 Hz)	
MTTF [Years]	227	
Mechanical data		
Materials (wetted parts)	PP	
Housing materials	stainless steel (304S15); FKM; NBR; PBT; PC; PEI; PP; TPE / V	
Weight [kg]	0.402	
Displays / operating elements		
Display	Display unit 2 x LED green Switching status 4 x LED yellow Measured values 4-digit alphanumeric display Programming 4-digit alphanumeric display	
Electrical connection		
Connection	M12 connector (according to EN 61076-2-101); gold-plated contacts	
<b>Wiring</b>		

**LK8123 - Electronic level sensor - eclass: 27371813 / 27-37-18-13**

Output configuration in switching mode:  
 OUT1...OUT3 = operating outputs  
 OUT-OP = overflow output



Output configuration in binary mode:  
 OUT1...OUT4 = 8-4-2-1 binary code for level



Remarks

Remarks

cULus - Class 2 source required  
 n.c. = not connected  
 \*\*) for water and hydrous media with temperatures > 35 °C install the unit into a climatic tube (order no. E43101)

Pack quantity [piece]

1