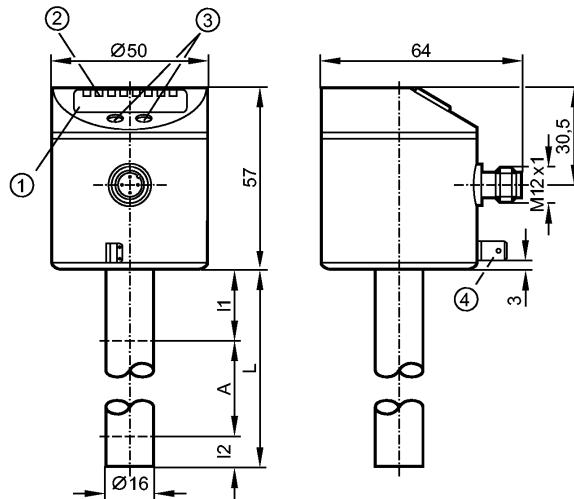




LK0472B-B-00KLPKG/US

Level sensors



- 1: 4-digit alphanumeric display
- 2: status LEDs
- 3: Programming buttons
- 4: Housing connection (flat-pin connector 6.3 mm following DIN 46244)



Product characteristics

Electronic level sensor

Quick disconnect

Probe length: L = 472 mm

1 analog output (OUT2)

1 overflow output (OUT-OP)

4-digit alphanumeric display

Application

Application

Cannot be used for:

Dielectric constant medium

Medium temperature oil

- Continuous [°C]

- Short time [°C]

Medium temperature water and hydrous media [°C]

Medium temperature coolant emulsions [°C]

Maximum speed of the change of level [mm/s]

Electrical data

Electrical design

Operating voltage [V]

Current consumption [mA]

Protection class

Reverse polarity protection

Outputs

Output

Hydrous coolants, oils, water, media similar to water
extremely conductive and adhering media, granulates and bulk materials, acids and alkalis, food and electroplating applications

> 2

0...70

0...90

0...35 (LK3123 + E43101: 0...60) **)

0...35 (LK3123 + E43101: 0...60) **)

200

DC PNP

18...30 DC

< 60

III

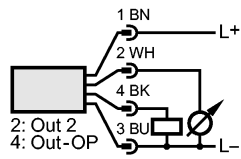
yes

1 analog output (OUT2)
1 overflow output (OUT-OP)

LK3123 - Electronic level sensor - eclass: 27371813 / 27-37-18-13

Output function	1 x analog 4...20 mA / 0...10 V (OUT2); 1 x normally open / closed programmable (OUT-OP)
Current rating [mA]	200
Voltage drop [V]	< 2.5
Short-circuit protection	thermal, pulsed
Overload protection	yes
Analog output	I: 4...20 mA / U: 0...10 V
Max. load [Ω]	I: max. 500 / U: min. 2000
Measuring / setting range	
Probe length L [mm]	472
Active range A [mm]	390
Inactive range I1 / I2 [mm]	53 / 30
Overflow switch point OP [mm]	139 - 163 - 188 - 212 - 236 - 261 - 285 - 310 - 334 - 358 - 383 - 407
Hysteresis OP [mm]	3
Accuracy / deviations	
Deviations (% of value of measuring range)	
Repeatability	± 2
Characteristics deviation	± 2
Offset error [mm]	± 8
Measuring sensitivity	0.04 mA / mm 0.03 V / mm
Resolution [mm]	4
Zero signal [mA] / [V]	3.6...4.0 / 0...0.2
Full signal [mA] / [V]	20...20.8 / 9.8...10.2
Reaction times	
Power-on delay time [s]	3
Software / programming	
Programming options	Current / voltage output; position of OP; OP adjustment; medium adjustment; offset; display unit
Environment	
Ambient temperature [°C]	0...60
Storage temperature [°C]	-25...80
Maximum vessel pressure [bar]	0.5 (mounted with mounting accessories E43001 - E43007)
Protection	IP 67
Tests / approvals	
EMC	EN 61000-4-2 ESD: 4 kV CD / 8 kV AD EN 61000-4-3 HF radiated: 10 V/m EN 61000-4-4 Burst: 2 kV EN 61000-4-6 HF conducted: 10 V
Shock resistance	DIN EN 60068-2-29: 15 g (11 ms)
Vibration resistance	DIN EN 60068-2-6 5 g (10...2000 Hz)
MTTF [Years]	194
Mechanical data	
Materials (wetted parts)	PP
Housing materials	stainless steel (304S15); FKM; NBR; PBT; PC; PEI; PP; TPE / V
Weight [kg]	0.402
Displays / operating elements	
Display	Display unit / status 2 x LED green Switching status 1 x LED yellow Measured values 4-digit alphanumeric display Programming 4-digit alphanumeric display
Electrical connection	
Connection	M12 connector (according to EN 61076-2-101); gold-plated contacts
Wiring	

LK3123 - Electronic level sensor - eclass: 27371813 / 27-37-18-13



Remarks

Remarks

cULus - Class 2 source required
 **) for water and hydrous media with temperatures > 35 °C install the
 unit into a climatic tube
 (order no. E43101)

Pack quantity [piece]

1

ifm efector, inc. • 1100 Atwater Drive • Malvern • PA 19355 — We reserve the right to make technical alterations without prior notice. — US — LK3123 — 28.05.2015

Technical note: PDF