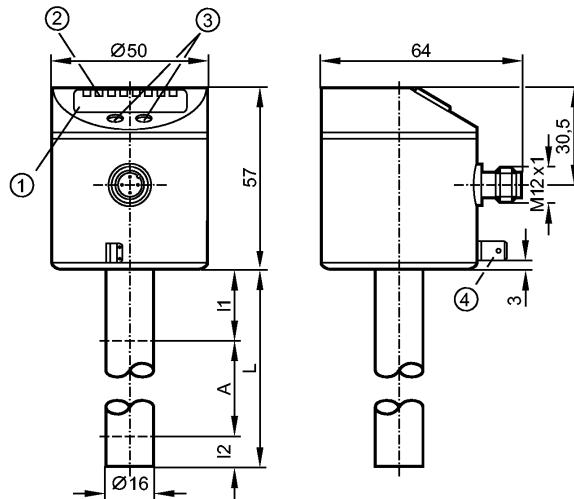




LK0264B-B-00KLPKG/US

Level sensors



- 1: 4-digit alphanumeric display
- 2: status LEDs
- 3: Programming buttons
- 4: Housing connection (flat-pin connector 6.3 mm following DIN 46244)



Product characteristics

Electronic level sensor

Quick disconnect

Probe length: L = 264 mm

1 analog output (OUT2)

1 overflow output (OUT-OP)

4-digit alphanumeric display

Application

Application

Hydrous coolants, oils, water, media similar to water

Cannot be used for:

extremely conductive and adhering media, granulates and bulk materials, acids and alkalis, food and electroplating applications

Dielectric constant medium

> 2

Medium temperature oil

- Continuous [°C]

0...70

- Short time [°C]

0...90

Medium temperature water and hydrous media [°C]

0...35 (LK3122 + E43100: 0...65) **

Medium temperature coolant emulsions [°C]

0...35 (LK3122 + E43100: 0...65) **

Maximum speed of the change of level [mm/s]

100

Electrical data

Electrical design

DC PNP

Operating voltage [V]

18...30 DC

Current consumption [mA]

< 60

Protection class

III

Reverse polarity protection

yes

Outputs

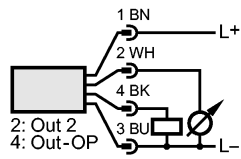
Output

1 analog output (OUT2)
1 overflow output (OUT-OP)

LK3122 - Electronic level sensor - eclass: 27371813 / 27-37-18-13

Output function	1 x analog 4...20 mA / 0...10 V (OUT2); 1 x normally open / closed programmable (OUT-OP)
Current rating [mA]	200
Voltage drop [V]	< 2.5
Short-circuit protection	thermal, pulsed
Overload protection	yes
Analog output	I: 4...20 mA / U: 0...10 V
Max. load [Ω]	I: max. 500 / U: min. 2000
Measuring / setting range	
Probe length L [mm]	264
Active range A [mm]	195
Inactive range I1 / I2 [mm]	53 / 15
Overflow switch point OP [mm]	69 - 82 - 94 - 106 - 118 - 130 - 143 - 155 - 167 - 179 - 191 - 204
Hysteresis OP [mm]	2
Accuracy / deviations	
Deviations (% of value of measuring range)	
Repeatability	± 2
Characteristics deviation	± 2
Offset error [mm]	± 4
Measuring sensitivity	0.08 mA / mm 0.05 V / mm
Resolution [mm]	2
Zero signal [mA] / [V]	3.6...4.0 / 0...0.2
Full signal [mA] / [V]	20...20.8 / 9.8...10.2
Reaction times	
Power-on delay time [s]	3
Software / programming	
Programming options	Current / voltage output; position of OP; OP adjustment; medium adjustment; offset; display unit
Environment	
Ambient temperature [$^{\circ}\text{C}$]	0...60
Storage temperature [$^{\circ}\text{C}$]	-25...80
Maximum vessel pressure [bar]	0.5 (mounted with mounting accessories E43001 - E43007)
Protection	IP 67
Tests / approvals	
EMC	EN 61000-4-2 ESD: 4 kV CD / 8 kV AD EN 61000-4-3 HF radiated: 10 V/m EN 61000-4-4 Burst: 2 kV EN 61000-4-6 HF conducted: 10 V
Shock resistance	DIN EN 60068-2-29: 15 g (11 ms)
Vibration resistance	DIN EN 60068-2-6 5 g (10...2000 Hz)
MTTF [Years]	224
Mechanical data	
Materials (wetted parts)	PP
Housing materials	stainless steel (304S15); FKM; NBR; PBT; PC; PEI; PP; TPE / V
Weight [kg]	0.322
Displays / operating elements	
Display	Display unit / status 2 x LED green Switching status 1 x LED yellow Measured values 4-digit alphanumeric display Programming 4-digit alphanumeric display
Electrical connection	
Connection	M12 connector (according to EN 61076-2-101); gold-plated contacts
Wiring	

LK3122 - Electronic level sensor - eclass: 27371813 / 27-37-18-13



Remarks

Remarks

cULus - Class 2 source required
 **) for water and hydrous media with temperatures > 35 °C install the unit into a climatic tube (order no. E43100)

Pack quantity [piece]

1

ifm efector, inc. • 1100 Atwater Drive • Malvern • PA 19355 — We reserve the right to make technical alterations without prior notice. — US — LK3122 — 26.04.2016

Technical note: PDF