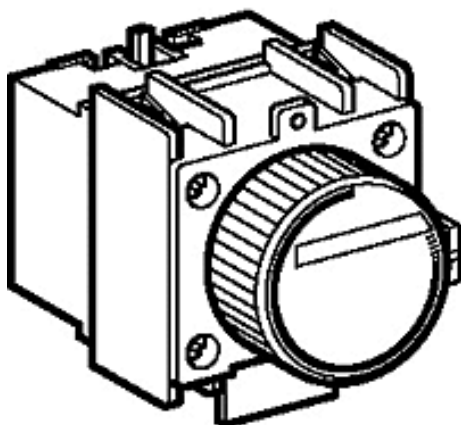




LADT2

TeSys D - time delay auxiliary contact block - 1 NO + 1 NC screw clamp terminals

Product availability : Stock - Normally stocked in distribution facility



Main

Range of product	TeSys D TeSys F
Range	TeSys
Product or component type	Time delay auxiliary contact block
Pole contact composition	1 NO + 1 NC
Connections - terminals	Screw clamp terminals 1 cable 0...0 in ² (1...2.5 mm ²) - cable stiffness: flexible - with cable end Screw clamp terminals 1 cable 0...0 in ² (1...2.5 mm ²) - cable stiffness: flexible - without cable end Screw clamp terminals 1 cable 0...0 in ² (1...2.5 mm ²) - cable stiffness: solid - with cable end Screw clamp terminals 1 cable 0...0 in ² (1...2.5 mm ²) - cable stiffness: solid - without cable end Screw clamp terminals 2 cable 0...0 in ² (1...2.5 mm ²) - cable stiffness: flexible - with cable end Screw clamp terminals 2 cable 0...0 in ² (1...2.5 mm ²) - cable stiffness: flexible - without cable end Screw clamp terminals 2 cable 0...0 in ² (1...2.5 mm ²) - cable stiffness: solid - with cable end Screw clamp terminals 2 cable 0...0 in ² (1...2.5 mm ²) - cable stiffness: solid - without cable end

Complementary

Mounting location	Front
[Ui] rated insulation voltage	690 V - conforming to IEC 60947-5-1 600 V - certifications CSA 600 V - certifications UL
System Voltage	690 V AC 25...400 Hz
[Ith] conventional free air thermal current	10 A at <= 140 °F (60 °C)
Irms rated making capacity	140 A at <= 690 V AC conforming to IEC 60947-5-1 250 A at <= 690 V DC conforming to IEC 60947-5-1
Permissible short-time rating	100 A at 23...140 °F (-5...60 °C) 1 s 120 A at 23...140 °F (-5...60 °C) 500 ms 140 A at 23...140 °F (-5...60 °C) 100 ms
Protection type	GG fuse <= 10 A rating according to operational current for Ue <= 690 V
Associated fuse rating	10 A gG IEC 60947-5-1
Mechanical durability	5 Mcycles

Minimum switching current	5 mA
Minimum switching voltage	17 V
Non-overlap time	1.5 ms on de-energisation (no overlap between NC and NO contact) 1.5 ms on energisation (no overlap between NC and NO contact)
Timer type	On delay
Time delay range	0.1...30 s
Insulation resistance	> 10 MOhm

Environment

Environmental characteristic	Normal environment
Standards	IEC 60947-5-1 EN 60947-5-1 NF C 63-140 VDE 0660 BS 4794
Product certifications	CSA UL
IP degree of protection	IP2x conforming to VDE 0106
Protective treatment	TH conforming to IEC 60068
Ambient air temperature for operation	23...140 °F (-5...60 °C)
Ambient air temperature for storage	-76...176 °F (-60...80 °C)
Operating altitude	9842.52 ft (3000 m) without derating in temperature

Ordering and shipping details

Category	22341 - CONTACTOR,D,K,&F ACCESS
Discount Schedule	I12
GTIN	00785901213826
Nbr. of units in pkg.	1
Package weight(Lbs)	0.17000000000000001
Returnability	Y
Country of origin	FR

Contractual warranty

Warranty period	18 months
-----------------	-----------