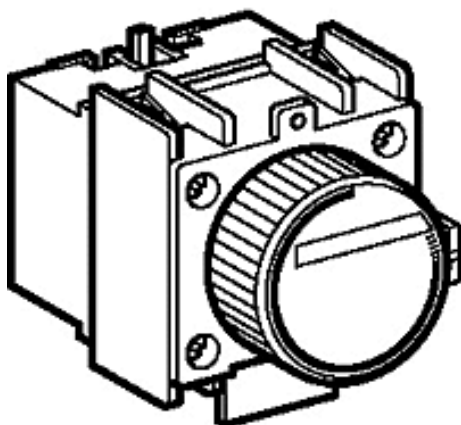




# LADT0

## TeSys D - time delay auxiliary contact block - 1 NO + 1 NC screw clamp terminals

Product availability : Stock - Normally stocked in distribution facility



### Main

|                           |  |
|---------------------------|--|
| Range of product          | TeSys F<br>TeSys D   |
| Range                     | TeSys  |
| Product or component type | Time delay auxiliary contact block   |
| Pole contact composition  | 1 NO + 1 NC  |
| Connections - terminals   | Screw clamp terminals 1 cable 0...0 in <sup>2</sup> (1...2.5 mm <sup>2</sup> ) - cable stiffness: flexible - with cable end<br>Screw clamp terminals 1 cable 0...0 in <sup>2</sup> (1...2.5 mm <sup>2</sup> ) - cable stiffness: flexible - without cable end<br>Screw clamp terminals 1 cable 0...0 in <sup>2</sup> (1...2.5 mm <sup>2</sup> ) - cable stiffness: solid - with cable end<br>Screw clamp terminals 1 cable 0...0 in <sup>2</sup> (1...2.5 mm <sup>2</sup> ) - cable stiffness: solid - without cable end<br>Screw clamp terminals 2 cable 0...0 in <sup>2</sup> (1...2.5 mm <sup>2</sup> ) - cable stiffness: flexible - with cable end<br>Screw clamp terminals 2 cable 0...0 in <sup>2</sup> (1...2.5 mm <sup>2</sup> ) - cable stiffness: flexible - without cable end<br>Screw clamp terminals 2 cable 0...0 in <sup>2</sup> (1...2.5 mm <sup>2</sup> ) - cable stiffness: solid - with cable end<br>Screw clamp terminals 2 cable 0...0 in <sup>2</sup> (1...2.5 mm <sup>2</sup> ) - cable stiffness: solid - without cable end |

### Complementary

|   |   |
|---|---|
| Mounting location                           | Front   |
| [Ui] rated insulation voltage               | 690 V - conforming to IEC 60947-5-1<br>600 V - certifications CSA<br>600 V - certifications UL                                |
| System Voltage                              | 690 V AC 25...400 Hz  |
| [Ith] conventional free air thermal current | 10 A at <= 140 °F (60 °C)   |
| Irms rated making capacity                  | 140 A at <= 690 V AC conforming to IEC 60947-5-1<br>250 A at <= 690 V DC conforming to IEC 60947-5-1                          |
| Permissible short-time rating               | 100 A at 23...140 °F (-5...60 °C) 1 s<br>120 A at 23...140 °F (-5...60 °C) 500 ms<br>140 A at 23...140 °F (-5...60 °C) 100 ms |
| Protection type                             | GG fuse <= 10 A rating according to operational current for Ue <= 690 V   |
| Associated fuse rating                      | 10 A gG IEC 60947-5-1   |
| Mechanical durability                       | 5 Mcycles   |

|                           |   |
|---------------------------|---|
| Minimum switching current | 5 mA  |
| Minimum switching voltage | 17 V  |
| Non-overlap time          | 1.5 ms on de-energisation (no overlap between NC and NO contact)<br>1.5 ms on energisation (no overlap between NC and NO contact) |
| Timer type                | On delay  |
| Time delay range          | 0.1...3 s   |
| Insulation resistance     | > 10 MOhm   |

## Environment

|                                       |   |
|---------------------------------------|---|
| Environmental characteristic          | Normal environment  |
| Standards                             | BS 4794<br>VDE 0660<br>EN 60947-5-1<br>NF C 63-140<br>IEC 60947-5-1 |
| Product certifications                | CSA<br>UL   |
| IP degree of protection               | IP2x conforming to VDE 0106   |
| Protective treatment                  | TH conforming to IEC 60068  |
| Ambient air temperature for operation | 23...140 °F (-5...60 °C)  |
| Ambient air temperature for storage   | -76...176 °F (-60...80 °C)  |
| Operating altitude                    | 9842.52 ft (3000 m) without derating in temperature                 |

## Ordering and shipping details

|                       |                                 |
|-----------------------|---------------------------------|
| Category              | 22341 - CONTACTOR,D,K,&F ACCESS |
| Discount Schedule     | I12                             |
| GTIN                  | 00785901213765                  |
| Nbr. of units in pkg. | 1                               |
| Package weight(Lbs)   | 0.17000000000000001             |
| Returnability         | Y                               |
| Country of origin     | FR                              |

## Contractual warranty

|                 |           |
|-----------------|-----------|
| Warranty period | 18 months |
|-----------------|-----------|