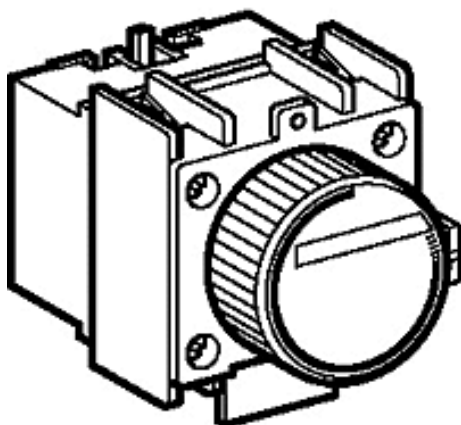




# LADR0

## TeSys D - time delay auxiliary contact block - 1 NO + 1 NC screw clamp terminals

Product availability : Stock - Normally stocked in distribution facility



### Main

Range of product	TeSys D TeSys F TeSys D control relay
Range	TeSys
Product or component type	Time delay auxiliary contact block
Pole contact composition	1 NO + 1 NC
Connections - terminals	Screw clamp terminals 1 cable 0...0 in <sup>2</sup> (1...2.5 mm <sup>2</sup> ) - cable stiffness: flexible - with cable end Screw clamp terminals 1 cable 0...0 in <sup>2</sup> (1...2.5 mm <sup>2</sup> ) - cable stiffness: flexible - without cable end Screw clamp terminals 1 cable 0...0 in <sup>2</sup> (1...2.5 mm <sup>2</sup> ) - cable stiffness: solid - with cable end Screw clamp terminals 1 cable 0...0 in <sup>2</sup> (1...2.5 mm <sup>2</sup> ) - cable stiffness: solid - without cable end Screw clamp terminals 2 cable 0...0 in <sup>2</sup> (1...2.5 mm <sup>2</sup> ) - cable stiffness: flexible - with cable end Screw clamp terminals 2 cable 0...0 in <sup>2</sup> (1...2.5 mm <sup>2</sup> ) - cable stiffness: flexible - without cable end Screw clamp terminals 2 cable 0...0 in <sup>2</sup> (1...2.5 mm <sup>2</sup> ) - cable stiffness: solid - with cable end Screw clamp terminals 2 cable 0...0 in <sup>2</sup> (1...2.5 mm <sup>2</sup> ) - cable stiffness: solid - without cable end

### Complementary

Mounting location	Front
[Ui] rated insulation voltage	690 V - conforming to IEC 60947-5-1 600 V - certifications CSA 600 V - certifications UL
System Voltage	690 V AC 25...400 Hz
[Ith] conventional free air thermal current	10 A at <= 140 °F (60 °C)
Irms rated making capacity	140 A AC conforming to IEC 60947-5-1 250 A DC conforming to IEC 60947-5-1
Permissible short-time rating	100 A at 23...140 °F (-5...60 °C) 1 s 120 A at 23...140 °F (-5...60 °C) 500 ms 140 A at 23...140 °F (-5...60 °C) 100 ms
Protection type	GG fuse <= 10 A rating according to operational current for Ue <= 690 V
Associated fuse rating	10 A gG IEC 60947-5-1

Mechanical durability	5 Mcycles
Minimum switching current	5 mA
Minimum switching voltage	17 V
Non-overlap time	1.5 ms on de-energisation (no overlap between NC and NO contact) 1.5 ms on energisation (no overlap between NC and NO contact)
Timer type	Off delay
Time delay range	0.1...3 s
Insulation resistance	> 10 MOhm

## Environment

Environmental characteristic	Normal environment
Standards	VDE 0660 IEC 60947-5-1 NF C 63-140 EN 60947-5-1 BS 4794
Product certifications	UL CSA
IP degree of protection	IP2x conforming to VDE 0660
Protective treatment	TH conforming to IEC 60068
Ambient air temperature for operation	23...140 °F (-5...60 °C)
Ambient air temperature for storage	-76...176 °F (-60...80 °C)
Operating altitude	9842.52 ft (3000 m)

## Ordering and shipping details

Category	22341 - CONTACTOR,D,K,&F ACCESS
Discount Schedule	I12
GTIN	00785901213857
Nbr. of units in pkg.	1
Package weight(Lbs)	0.17000000000000001
Returnability	Y
Country of origin	FR

## Contractual warranty

Warranty period	18 months
-----------------	-----------