

Product characteristics

Wiring block

Quick disconnect

Free from halogen

Free from silicone

gold-plated contacts

Electrical data

Electrical design

Operating voltage [V]

Max. total current load [A]

Max. current load per location [A]

Protection class

Environment

Ambient temperature [°C]

Protection

Mechanical data

Design

Housing materials

Tightening torque for knurled nut [Nm]

Displays / operating elements

Output status indication LED

Power LED

Electrical connection

Connection

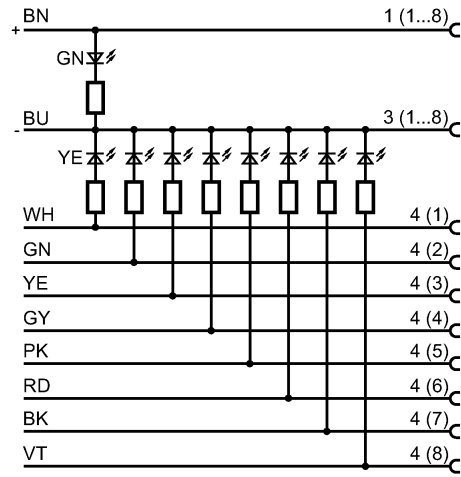
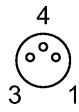
Sheath color

Wiring

	DC
Operating voltage [V]	10...30 DC
Max. total current load [A]	4
Max. current load per location [A]	2
Protection class	III
Environment	
Ambient temperature [°C]	-15...90
Protection	IP 67
Mechanical data	
Design	8 way
Housing materials	TPU (urethane)
Tightening torque for knurled nut [Nm]	0.5
Displays / operating elements	
Output status indication LED	8 x yellow
Power LED	green
Electrical connection	
Connection	PUR / PVC cable / 5 m; 8 x 0.34 mm <sup>2</sup> + 2 x 0.5 mm <sup>2</sup> ; Ø 9 mm; halogen-free
Sheath color	black

# L33120 - Wiring block - eclass: 27279201 / 27-27-92-01

- Core colors
- BK black
  - BN brown
  - BU blue
  - GN green
  - GY grey
  - PK pink
  - RD red
  - VT lilac
  - WH white
  - YE yellow



Remarks

Pack quantity [piece] 1