



**Model Number**

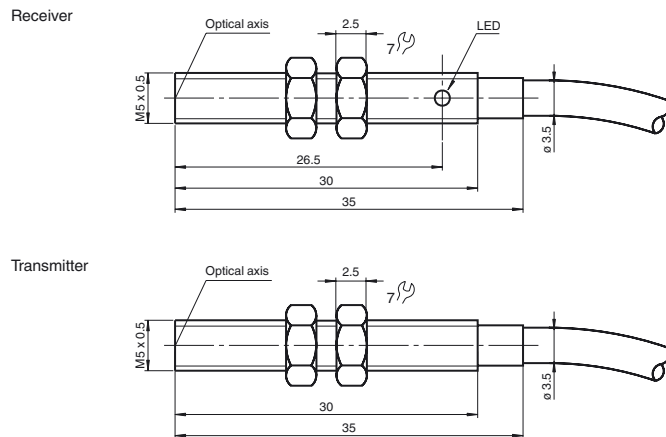
**KS11/KSE11/59/103/115**

Thru-beam sensor  
with 2 m fixed cable

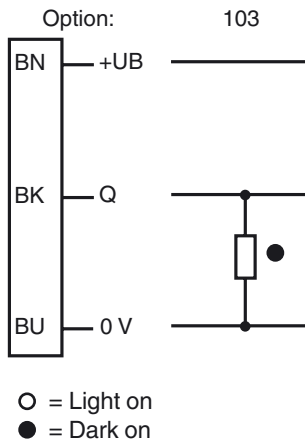
**Features**

- Large detection range, up to 250 mm
- Very small housing
- Complete device, no amplifier needed
- Voltage range 10 V ... 30 V DC, output current 100 mA short-circuit protected
- Optical parts made of glass, easy cleaning
- Degree of protection IP67

**Dimensions**



**Electrical connection**



Release date: 2015-01-29 10:46 Date of issue: 2015-01-29 118351\_eng.xml

Refer to "General Notes Relating to Pepperl+Fuchs Product Information".

Pepperl+Fuchs Group  
www.pepperl-fuchs.com

USA: +1 330 486 0001  
fa-info@us.pepperl-fuchs.com

Germany: +49 621 776 4411  
fa-info@de.pepperl-fuchs.com

Singapore: +65 6779 9091  
fa-info@sg.pepperl-fuchs.com

**Technical data**

**General specifications**

Effective detection range	0 ... 250 mm
Light source	LED
Light type	modulated infrared light
Optical face	frontal
Ambient light limit	10000 Lux

**Indicators/operating means**

Function indicator	switching state, LED yellow
--------------------	-----------------------------

**Electrical specifications**

Operating voltage	$U_B$	10 ... 30 V DC
Ripple		10 %
No-load supply current	$I_0$	≤ 15 mA (device)
Time delay before availability	$t_v$	≤ 20 ms

**Input**

Test input	inactive: ≤ 4 V; active: ≤ 8 V or unwired (emitter)
------------	-----------------------------------------------------

**Output**

Switching type	dark on	
Signal output	1 switch output PNP	
Switching voltage	max. 30 V DC	
Switching current	max. 100 mA	
Switching frequency	$f$	≤ 250 Hz
Response time		≤ 3 ms

**Ambient conditions**

Ambient temperature	0 ... 55 °C (32 ... 131 °F)
---------------------	-----------------------------

**Mechanical specifications**

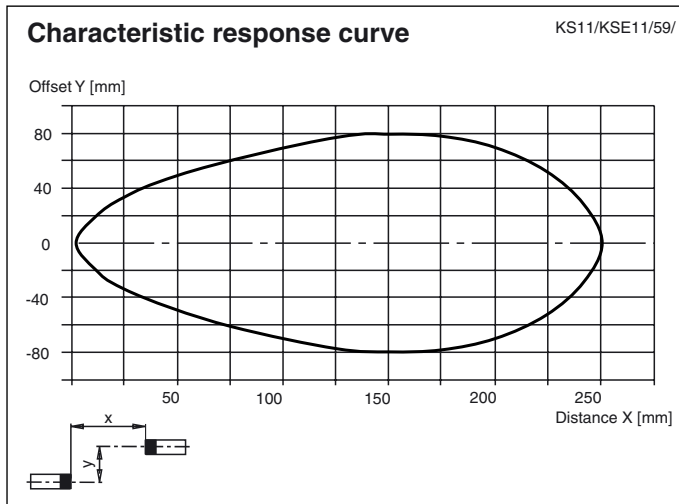
Degree of protection	IP67
Connection	2 m fixed cable ; 3 x 0.14 mm <sup>2</sup> , PVC
Material	
Housing	Stainless steel 1.4305 / AISI 303
Optical face	Scratch resistant mineral glass lens
Mass	76 g (device)

**Compliance with standards and directives**

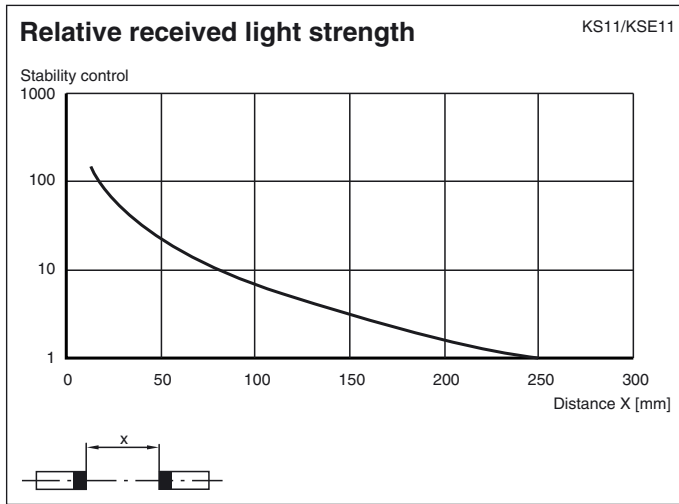
Standard conformity	
Product standard	EN 60947-5-2:2007 IEC 60947-5-2:2007

Additional accessories can be found in the Internet.

**Curves/Diagrams**



Release date: 2015-01-29 10:46 Date of issue: 2015-01-29 118351\_eng.xml



Release date: 2015-01-29 10:46 Date of issue: 2015-01-29 118351\_eng.xml

Refer to "General Notes Relating to Pepperl+Fuchs Product Information".

Pepperl+Fuchs Group  
www.pepperl-fuchs.com

USA: +1 330 486 0001  
fa-info@us.pepperl-fuchs.com

Germany: +49 621 776 4411  
fa-info@de.pepperl-fuchs.com

Singapore: +65 6779 9091  
fa-info@sg.pepperl-fuchs.com