

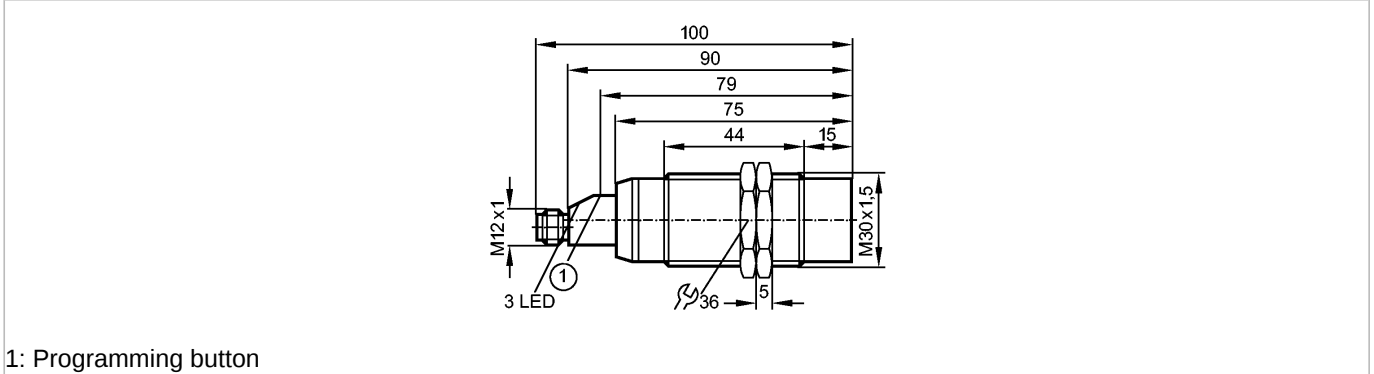
no longer available - archive entry replaced by: KI5087
 Attention: the programming has changed!

efectoriso
 KN5101



KNM30NUAFPKG/US-100-DPX

Capacitive sensors



1: Programming button



Product characteristics

Level sensor

Metal thread M30 x 1.5

Quick disconnect

Function check output

Microprocessor

gold-plated contacts

[nf] non-flush mountable

Application

Application

For dry bulk material and liquids (detection through non-metallic vessel wall)

Electrical data

Electrical design

DC PNP

Operating voltage [V]

10...36 DC

Current consumption [mA]

30 (24 V)

Protection class

II

Reverse polarity protection

yes

Outputs

Output function

normally open / closed programmable

Voltage drop

- Switching output [V]

< 2.5

- Function check output [V]

< 3.5

Current rating

- Switching output [mA]

250

- Function check output [mA]

10

Short-circuit protection

yes (non-latching)

Overload protection

yes

Switching frequency [Hz]

5

Environment

Ambient temperature [°C]

-25...80

Medium temperature [°C]

-25...80

Protection

IP 67

Tests / approvals

EMC

EN 60947-5-2

Mechanical data

Mounting

non-flush mountable

Housing materials

brass white bronze coated; PBT; PVC

Weight [kg]

0.14

Displays / operating elements

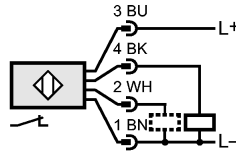
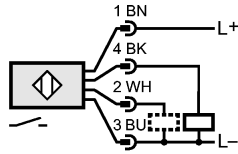
Output status indication LED

yellow

KN5101 - Level sensor - eclass: 27371813 / 27-37-18-13

Power	LED	green
Function display	LED	red (function check)
Electrical connection		
Connection	M12 connector; gold-plated contacts	

Wiring



2: function check output / programming wire

Accessories		
Accessories (included)	2 lock nuts	
Remarks		
Pack quantity	[piece]	1

ifm efector, inc. • 1100 Atwater Drive • Malvern • PA 19355 — We reserve the right to make technical alterations without prior notice. — US — KN5101 — 12.08.2004
 no longer available - archive entry replaced by: KI5087
 Attention: the programming has changed!