

Alternative article: KI5300 or KI5302

When selecting an alternative article and accessories please note that technical data may differ!

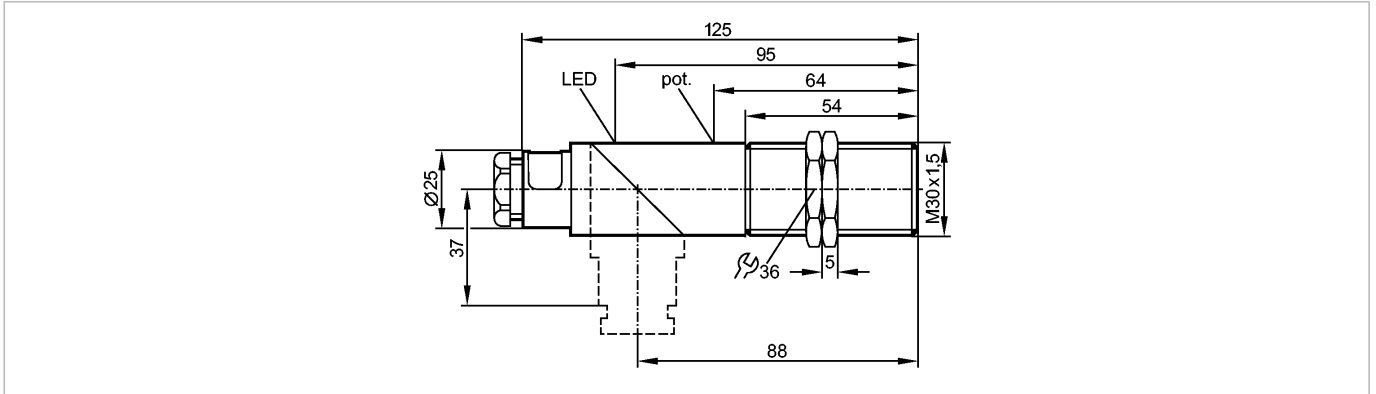
efectoriso

KI5024



KIE3015-FNKG/NI

Capacitive sensors



Product characteristics

Capacitive sensor

Plastic thread M30 x 1.5

Terminals

Increased immunity to conducted radio frequency interference

Sensing range 15 mm; [nf] non-flush mountable

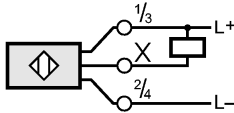
Electrical data

Electrical design		DC NPN
Operating voltage [V]		10...36 DC
Current consumption [mA]		13 (24 V)
Protection class		II
Reverse polarity protection		yes
Outputs		
Output function		normally open / closed programmable
Voltage drop [V]		< 2.5
Current rating [mA]		250
Short-circuit proof		yes
Overload protection		yes
Switching frequency [Hz]		40
Monitoring range		
Sensing range [mm]		15
Real sensing range (Sr) [mm]		15 ± 10 %
Operating distance [mm]		0...12.1
Accuracy / deviations		
Correction factors		water = 1 / glass approx. 0.4 / ceramics approx. 0.2 / PVC approx. 0.2
Hysteresis [% of Sr]		1...15
Switch-point drift [% of Sr]		-15...15
Environment		
Ambient temperature [°C]		-25...70
Protection		IP 65
Tests / approvals		
EMC	IEC 60947-5-2:	2007
MTTF [Years]		751
Mechanical data		
Mounting		non-flush mountable
Housing materials		PBT; end cap: polycarbonate
Weight [kg]		0.136
Displays / operating elements		

KI5024 - Capacitive sensor - eclass: 27270102 / 27-27-01-02

Output status indication	LED	yellow
Electrical connection		
Connection	terminals up to 2.5 mm ² ; cable diameter 7...13 mm, cable gland M20 x 1.5	

Wiring



Accessories		
Accessories (included)	2 lock nuts; screwdriver	
Remarks		
Pack quantity	[piece]	1

ifm efector, inc. • 1100 Atwater Drive • Malvern • PA 19355 — We reserve the right to make technical alterations without prior notice. — US — KI5024 — 06.03.2003

Alternative article: KI5300 or KI5302

When selecting an alternative article and accessories please note that technical data may differ!