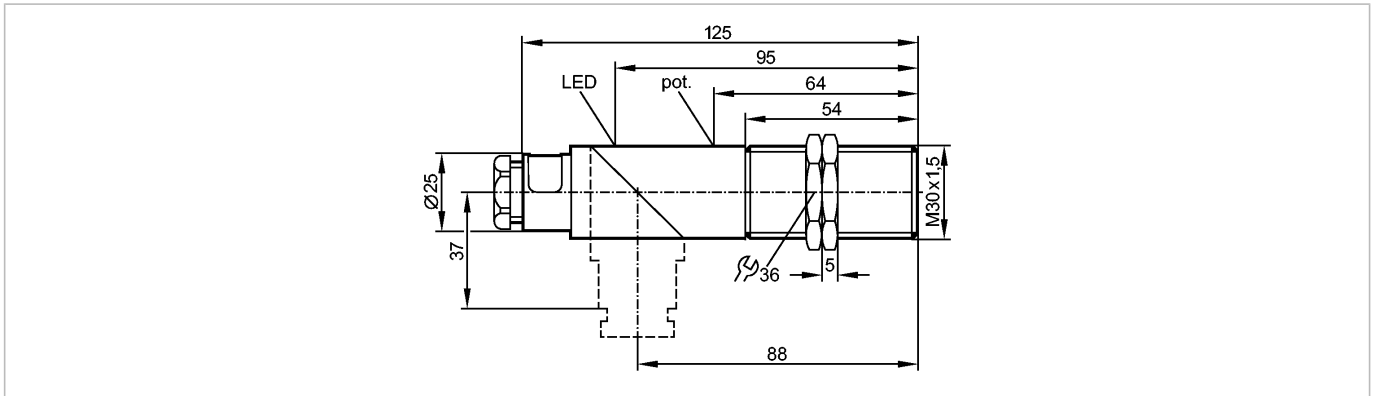


KI5023

KIE3015-FPKG/NI/55V

Capacitive sensors



Product characteristics

Capacitive sensor
Plastic thread M30 x 1.5
Terminals
Increased immunity to conducted radio frequency interference
Sensing range 15 mm; [nf] non-flush mountable

Electrical data

Electrical design	DC PNP
Operating voltage [V]	10...55 DC; cULus - Class 2 source required
Current consumption [mA]	14 (24 V)
Protection class	II
Reverse polarity protection	yes

Outputs

Output function	normally open / closed programmable
Voltage drop [V]	< 2.5
Current rating [mA]	250
Short-circuit proof	yes
Overload protection	yes
Switching frequency [Hz]	40

Monitoring range

Sensing range [mm]	15
Real sensing range (Sr) [mm]	15 ± 10 %
Operating distance [mm]	0...12.1

Accuracy / deviations

Correction factors	water = 1 / glass approx. 0.4 / ceramics approx. 0.2 / PVC approx. 0.2
Hysteresis [% of Sr]	1...15
Switch-point drift [% of Sr]	-15...15

Environment

Ambient temperature [°C]	-25...70
Protection	IP 65

Tests / approvals

EMC	IEC 60947-5-2:	2007
MTTF [Years]		743

Mechanical data

KI5023

KIE3015-FPKG/NI/55V

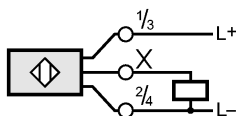
Capacitive sensors

Mounting	non-flush mountable
Housing materials	PBT; end cap: polycarbonate
Weight [kg]	0.137

Displays / operating elements	
Output status indication	LED yellow

Electrical connection	
Connection	terminals up to 2.5 mm ² ; cable diameter 7...13 mm, cable gland M20 x 1.5

Wiring



Accessories	
Accessories (included)	2 lock nuts; screwdriver

Remarks	
Pack quantity [piece]	1