

no longer available - archive entry

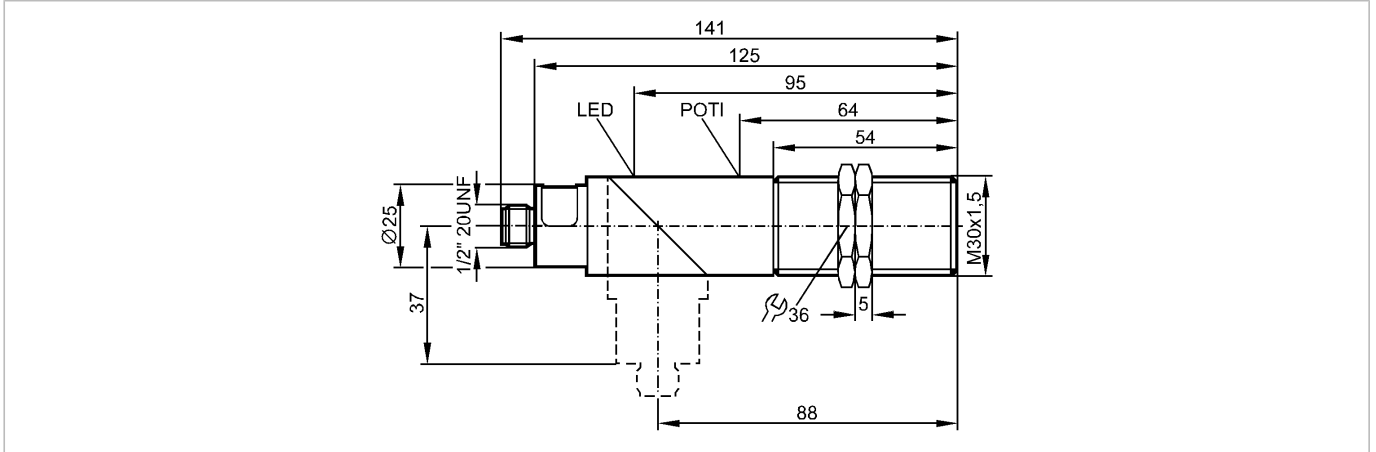
efectoriso

KI3511



KIE2015-FBOA/NI/LS100AK RT

Capacitive sensors



Product characteristics

Capacitive sensor

Plastic thread M30 x 1.5

Quick disconnect

Factory setting: normally closed

Increased immunity to conducted radio frequency interference

Sensing range 15 mm; adjustable 3...15 mm; [nf] non-flush mountable

Electrical data

Electrical design

Operating voltage [V]

AC/DC

20...250 AC/DC

Protection class

I

Reverse polarity protection

no

Outputs

Output function

normally open / closed programmable

Voltage drop [V]

< 10 AC / < 8 DC

Minimum load current [mA]

5

Leakage current [mA]

< 2.5 (250 V AC) / < 1.7 (110 V AC) / < 1.5 (24 V DC)

Current rating

- Current rating (continuous) [mA]

200; 250 (...50 °C)

- Current rating (peak) [mA]

î: 2.2 A (20 ms / 0.5 Hz)

Short-circuit proof

no

Overload protection

no

Switching frequency [Hz]

25 AC / 50 DC

Monitoring range

Sensing range [mm]

15, adjustable 3...15 mm

Real sensing range (Sr) [mm]

15 ± 10 %

Operating distance [mm]

0...12.1

Accuracy / deviations

Correction factors

water = 1 / glass approx. 0.4 / ceramics approx. 0.2 / PVC approx. 0.2

Hysteresis [% of Sr]

1...15

Switch-point drift [% of Sr]

-15...15

Environment

Ambient temperature [°C]

-25...70

Protection

IP 65

Tests / approvals

EMC

IEC 60947-5-2:

2007

MTTF [Years]

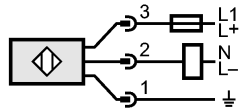
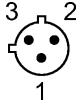
294

KI3511 - Capacitive sensor - eclass: 27270102 / 27-27-01-02

Mechanical data

Mounting	non-flush mountable
Housing materials	PBT; brass nickel-plated
Displays / operating elements	
Output status indication LED	red
Electrical connection	
Connection	1/2" connector

Wiring



Note: miniature fuse to IEC60127-2 sheet 1,
 ≤ 2 A (fast acting)

Accessories

Accessories (included)	2 lock nuts; screwdriver
------------------------	--------------------------

Remarks

Remarks	Recommendation: check the unit for reliable function after a short circuit.
---------	---

Pack quantity [piece]	1
-----------------------	---