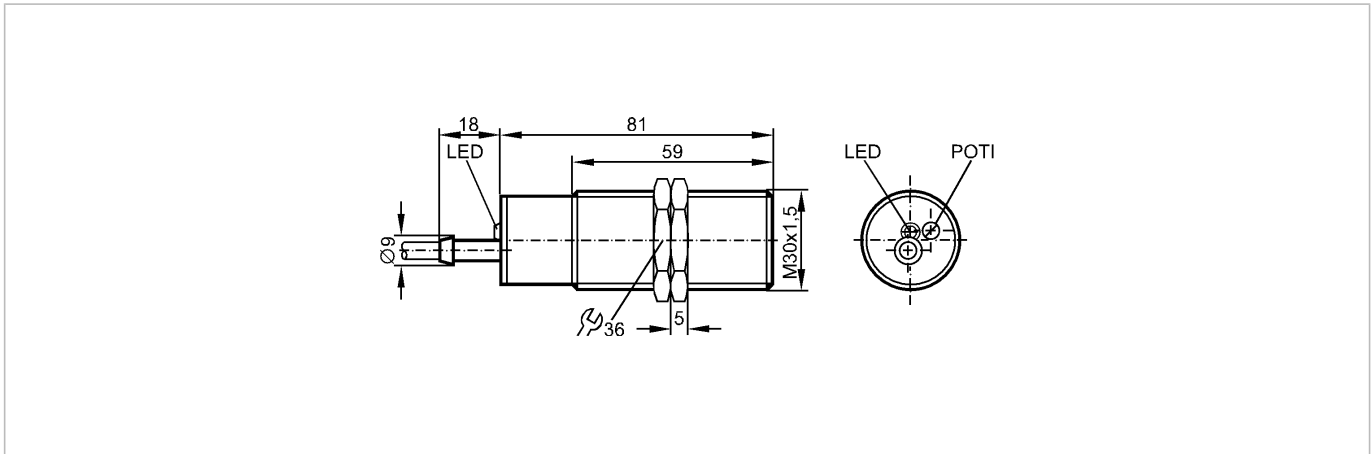


KI0206

KI-2015-ABOA/NI/0.1/LS-100AK

Capacitive sensors



Product characteristics

Capacitive sensor
Plastic thread M30 x 1.5
Cable with connector
Increased immunity to conducted radio frequency interference
Sensing range 15 mm; adjustable 3...15 mm; [nf] non-flush mountable

Electrical data

Electrical design	AC/DC
Operating voltage [V]	20...250 AC/DC
Protection class	II
Reverse polarity protection	no

Outputs

Output function	normally open
Voltage drop [V]	< 10 AC / < 8 DC
Minimum load current [mA]	5
Leakage current [mA]	< 2.5 (250 V AC) / < 1.7 (110 V AC) / < 1.5 (24 V DC)

Current rating

- Current rating (continuous) [mA]	200; 250 (...50 °C)
- Current rating (peak) [mA]	î: 1.5 A (20 ms / 0.5 Hz)
Short-circuit proof	no
Overload protection	no
Switching frequency [Hz]	25 AC / 50 DC

Monitoring range

Sensing range [mm]	15, adjustable 3...15 mm
Real sensing range (Sr) [mm]	15 ± 10 %
Operating distance [mm]	0...12.1

Accuracy / deviations

Correction factors	water = 1 / glass approx. 0.4 / ceramics approx. 0.2 / PVC approx. 0.2
Hysteresis [% of Sr]	1...15
Switch-point drift [% of Sr]	-15...15

Environment

Ambient temperature [°C]	-25...70
Protection	IP 65

KI0206

KI-2015-ABOA/NI/0.1/LS-100AK

Capacitive sensors

Tests / approvals		
EMC	IEC 60947-5-2:	2007
MTTF	[Years]	302
Mechanical data		
Mounting	non-flush mountable	
Housing materials	PBT	
Weight	[kg]	0.111
Displays / operating elements		
Output status indication	LED	yellow
Electrical connection		
Connection	PVC cable / 0.1 m; 2 x 0.5 mm ² ; with 1/2" connector	
Wiring <p>Note: miniature fuse to IEC60127-2 sheet 1, ≤ 2 A (fast acting)</p>		
Accessories		
Accessories (included)	2 lock nuts; screwdriver	
Remarks		
Remarks	Recommendation: check the unit for reliable function after a short circuit.	
Pack quantity	[piece]	1