

Alternative article: KG5040

When selecting an alternative article and accessories please note that technical data may differ!

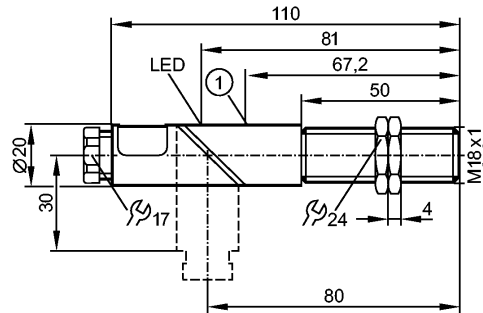
efectoriso

KG5042



KGE3008-APKG/NI

Capacitive sensors



1: potentiometer



Product characteristics

Capacitive sensor

Plastic thread M18 x 1

Terminals

Sensing range 8 mm; [nf] non-flush mountable

Electrical data

Electrical design

DC PNP

Operating voltage [V]

10...36 DC

Current consumption [mA]

< 10 (24 V) / < 15 (36 V)

Protection class

II

Reverse polarity protection

yes

Outputs

Output function

normally closed

Voltage drop [V]

< 2.5

Current rating [mA]

250

Short-circuit proof

yes

Overload protection

yes

Switching frequency [Hz]

50

Monitoring range

Sensing range [mm]

8

Real sensing range (Sr) [mm]

8 ± 10 %

Operating distance [mm]

0...6.5

Accuracy / deviations

water = 1 / glass approx. 0.4 / ceramics approx. 0.2 / PVC approx. 0.2

Correction factors

Hysteresis [% of Sr]

1...15

Switch-point drift [% of Sr]

-15...15

Environment

Ambient temperature [°C]

-25...80

Protection

IP 65

Tests / approvals

EMC

IEC 60947-5-2:

2007

MTTF [Years]

637

Mechanical data

Mounting

non-flush mountable

Housing materials

PBT

Weight [kg]

0.072

Displays / operating elements

Output status indication

LED

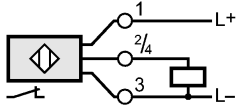
yellow

Electrical connection

KG5042 - Capacitive sensor - eclass: 27270102 / 27-27-01-02

Connection terminals up to 2.5 mm²; cable diameter 4.5...10 mm, cable gland M16 x 1.5

Wiring



Accessories

Accessories (included) 2 lock nuts; screwdriver

Remarks

Pack quantity [piece] 1

ifm efector, inc. • 1100 Atwater Drive • Malvern • PA 19355 — We reserve the right to make technical alterations without prior notice. — US — KG5042 — 10.03.2005

Alternative article: KG5040

When selecting an alternative article and accessories please note that technical data may differ!