

no longer available - archive entry Alternative article: KD5019

When selecting an alternative article and accessories please note that technical data may differ!

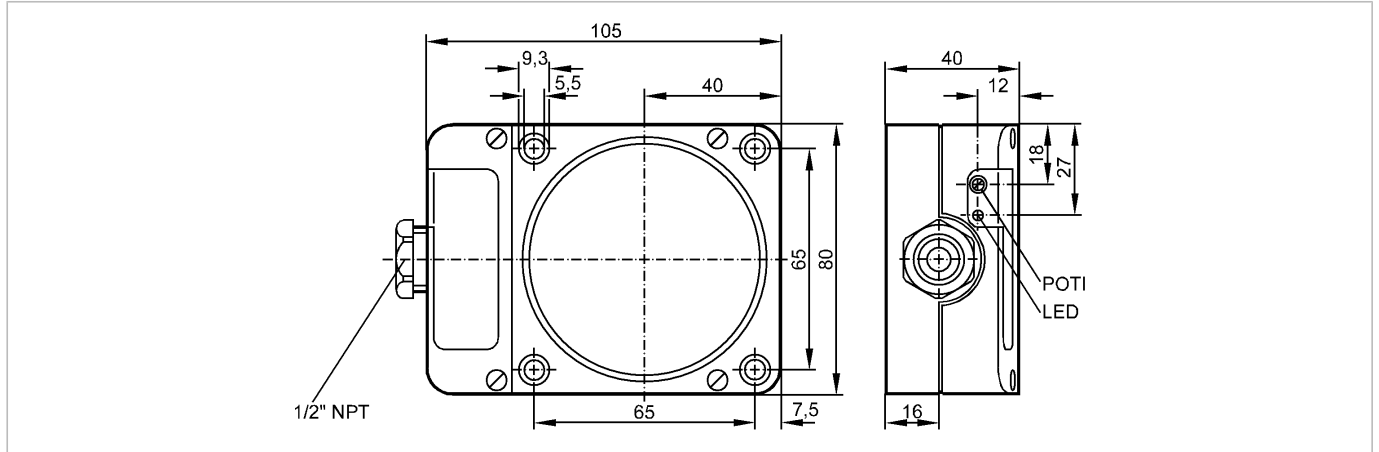
efectoriso

KD5042



KDE3060-FNKG/NI/NPT

Capacitive sensors



Product characteristics

Capacitive sensor

Rectangular, plastics

Terminals

Increased immunity to conducted radio frequency interference

Sensing range 60 mm; [nf] non-flush mountable

Electrical data

Electrical design

DC NPN

Operating voltage [V]

10...36 DC

Current consumption [mA]

< 15

Protection class

II

Reverse polarity protection

yes

Outputs

Output function

normally open / closed programmable

Voltage drop [V]

< 2.5

Current rating [mA]

250

Short-circuit protection

yes (non-latching)

Overload protection

yes

Switching frequency [Hz]

10

Monitoring range

Sensing range [mm]

60

Real sensing range (Sr) [mm]

60 ± 10 %

Operating distance [mm]

0...48.6

Accuracy / deviations

Correction factors

water = 1 / glass approx. 0.4 / ceramics approx. 0.2 / PVC approx. 0.2

Hysteresis [% of Sr]

1...15

Switch-point drift [% of Sr]

-15...15

Environment

Ambient temperature [°C]

-25...80

Protection

IP 65

Tests / approvals

EMC

IEC 60947-5-2:

2007

MTTF [Years]

550

Mechanical data

Mounting

non-flush mountable

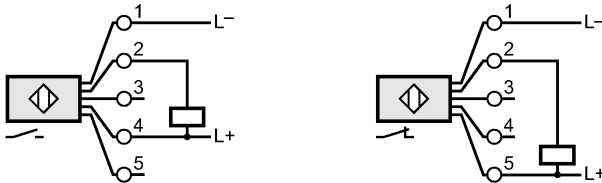
Housing materials

modified PPO

KD5042 - Capacitive sensor - eclass: 27270102 / 27-27-01-02

Weight	[kg]	0.293
Displays / operating elements		
Output status indication	LED	red
Electrical connection		
Connection		terminals up to 2.5 mm ² ; cable diameter 7...13 mm

Wiring



Accessories		
Accessories (included)		screwdriver
Remarks		
Pack quantity	[piece]	1

ifm efector, inc. • 1100 Atwater Drive • Malvern • PA 19355 — We reserve the right to make technical alterations without prior notice. — US — KD5042 — 06.03.2003

no longer available - archive entryAlternative article: KD5019

When selecting an alternative article and accessories please note that technical data may differ!