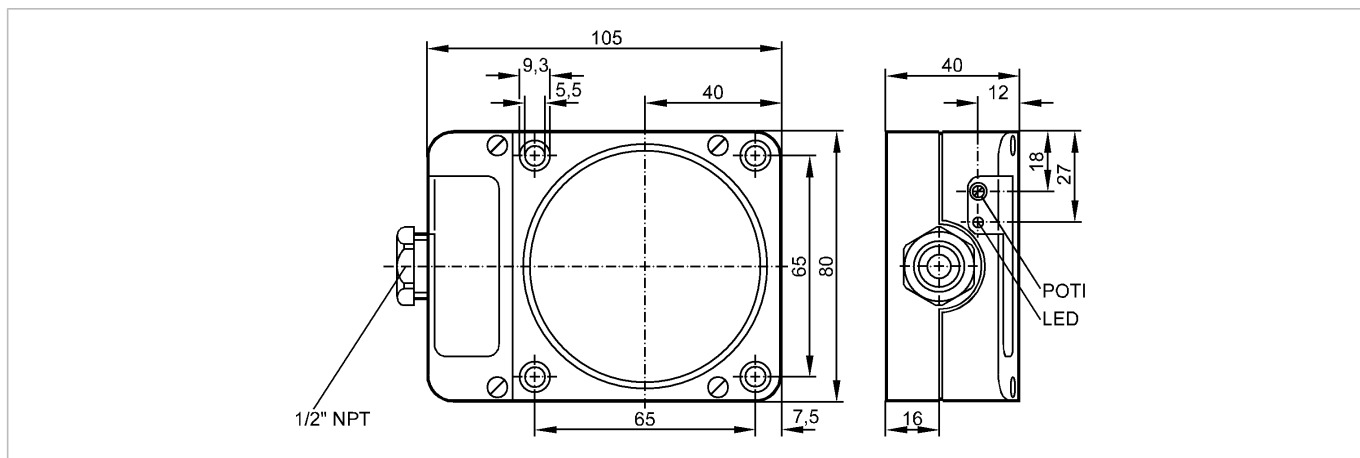


KD5041

KDE3060-FPKG/NI/NPT

Capacitive sensors

replaced by: KD5018



CE

Product characteristics

Capacitive sensor
Rectangular, plastics
Terminals
Increased immunity to conducted radio frequency interference
Sensing range 60 mm; [nf] non-flush mountable

Electrical data

Electrical design	DC PNP
Operating voltage [V]	10...36 DC
Current consumption [mA]	< 15
Protection class	II
Reverse polarity protection	yes

Outputs

Output function	normally open / closed programmable
Voltage drop [V]	< 2.5
Current rating [mA]	250
Short-circuit proof	yes
Overload protection	yes
Switching frequency [Hz]	10

Monitoring range

Sensing range [mm]	60
Real sensing range (Sr) [mm]	60 ± 10 %
Operating distance [mm]	0...48.6

Accuracy / deviations

Correction factors	water = 1 / glass approx. 0.4 / ceramics approx. 0.2 / PVC approx. 0.2
Hysteresis [% of Sr]	1...15
Switch-point drift [% of Sr]	-15...15

Environment

Ambient temperature [°C]	-25...80
Protection	IP 65

Tests / approvals

KD5041

KDE3060-FPKG/NI/NPT

Capacitive sensors

EMC	IEC 60947-5-2:	2007
-----	----------------	------

MTTF	[Years]	537
------	---------	-----

Mechanical data

Mounting	non-flush mountable
----------	---------------------

Housing materials	modified PPO
-------------------	--------------

Weight	[kg]	0.291
--------	------	-------

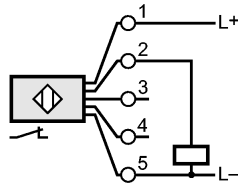
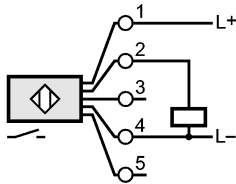
Displays / operating elements

Output status indication	LED	red
--------------------------	-----	-----

Electrical connection

Connection	terminals up to 2.5 mm ² ; cable diameter 7...13 mm
------------	--

Wiring



Accessories

Accessories (included)	screwdriver
------------------------	-------------

Remarks

Pack quantity	[piece]	1
---------------	---------	---

ifm efector, inc. • 1100 Atwater Drive • Malvern • PA 19355 — We reserve the right to make technical alterations without prior notice. — US — KD5041 — 06.03.2003

replaced by: KD5018