

Alternative article: KD5019

When selecting an alternative article and accessories please note that technical data may differ!

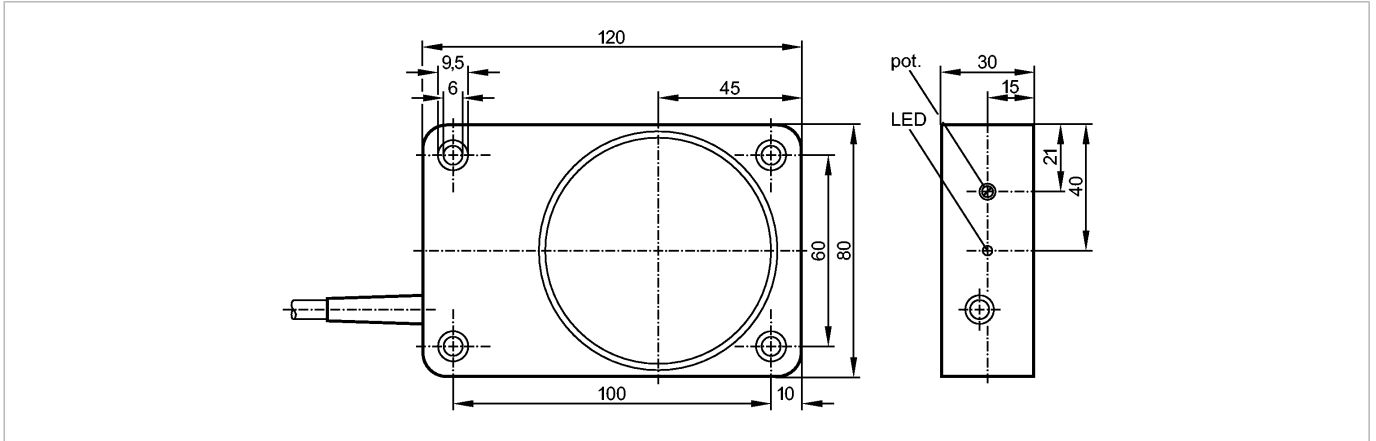
**efectoriso**

KD5024



KD-3060-ANKG/NI

Capacitive sensors



CE

Product characteristics

Capacitive sensor

Rectangular, plastics

Cable

Increased immunity to conducted radio frequency interference

Sensing range 60 mm; [nf] non-flush mountable

Electrical data

Electrical design

DC NPN

Operating voltage [V]

10...36 DC

Current consumption [mA]

15 (24 V)

Protection class

II

Reverse polarity protection

yes

Outputs

Output function

normally open

Voltage drop [V]

< 2.5

Current rating [mA]

250

Short-circuit proof

yes

Overload protection

yes

Switching frequency [Hz]

10

Monitoring range

Sensing range [mm]

60

Real sensing range (Sr) [mm]

60 ± 10 %

Operating distance [mm]

0...48.6

Accuracy / deviations

Correction factors

water = 1 / glass approx. 0.4 / ceramics approx. 0.2 / PVC approx. 0.2

Hysteresis [% of Sr]

1...15

Switch-point drift [% of Sr]

-15...15

Environment

Ambient temperature [°C]

-25...50

Protection

IP 65

Tests / approvals

EMC

IEC 60947-5-2:

2007

MTTF [Years]

618

Mechanical data

Mounting

non-flush mountable

Housing materials

modified PPO

Weight [kg]

0.403

# KD5024 - Capacitive sensor - eclass: 27270102 / 27-27-01-02

Displays / operating elements

Output status indication LED | yellow

Electrical connection

Connection | PVC cable / 2 m; 3 x 0.5 mm<sup>2</sup>

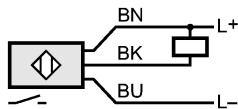
## Wiring

Core colors

BN brown

BK black

BU blue



Accessories

Accessories (included) | screwdriver

Remarks

Pack quantity [piece] | 1

ifm efector, inc. • 1100 Atwater Drive • Malvern • PA 19355 — We reserve the right to make technical alterations without prior notice. — US — KD5024 — 06.03.2003

Alternative article: KD5019

When selecting an alternative article and accessories please note that technical data may differ!