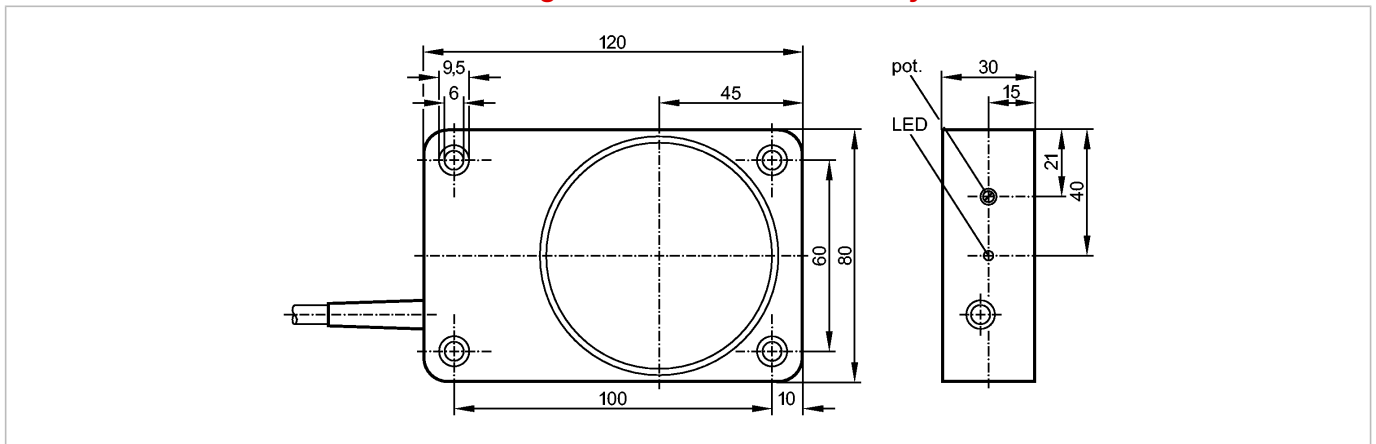


**KD5023**

KD-3060-APKG/NI

Capacitive sensors

**no longer available - archive entry**



**Product characteristics**

Capacitive sensor
Rectangular, plastics
Cable
Increased immunity to conducted radio frequency interference
Sensing range 60 mm; [nf] non-flush mountable

**Electrical data**

Electrical design	DC PNP
Operating voltage [V]	10...36 DC
Current consumption [mA]	15 (24 V)
Protection class	II
Reverse polarity protection	yes

**Outputs**

Output function	normally closed
Voltage drop [V]	< 2.5
Current rating [mA]	250
Short-circuit protection	yes (non-latching)
Overload protection	yes
Switching frequency [Hz]	10

**Monitoring range**

Sensing range [mm]	60
Real sensing range (Sr) [mm]	60 ± 10 %
Operating distance [mm]	0...48.6

**Accuracy / deviations**

Correction factors	water = 1 / glass approx. 0.4 / ceramics approx. 0.2 / PVC approx. 0.2
Hysteresis [% of Sr]	1...15
Switch-point drift [% of Sr]	-15...15

**Environment**

Ambient temperature [°C]	-25...50
Protection	IP 65

**Tests / approvals**

EMC	IEC 60947-5-2:	2007
-----	----------------	------

**KD5023**

KD-3060-APKG/NI

Capacitive sensors

MTTF	[Years]	615
------	---------	-----

**Mechanical data**

Mounting		non-flush mountable
Housing materials		modified PPO
Weight	[kg]	0.403

**Displays / operating elements**

Output status indication	LED	yellow
--------------------------	-----	--------

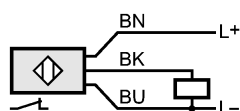
**Electrical connection**

Connection		PVC cable / 2 m; 3 x 0.5 mm <sup>2</sup>
------------	--	------------------------------------------

**Wiring**

Core colors

- BN brown
- BK black
- BU blue



**Accessories**

Accessories (included)		screwdriver
------------------------	--	-------------

**Remarks**

Pack quantity	[piece]	1
---------------	---------	---

**no longer available - archive entry**