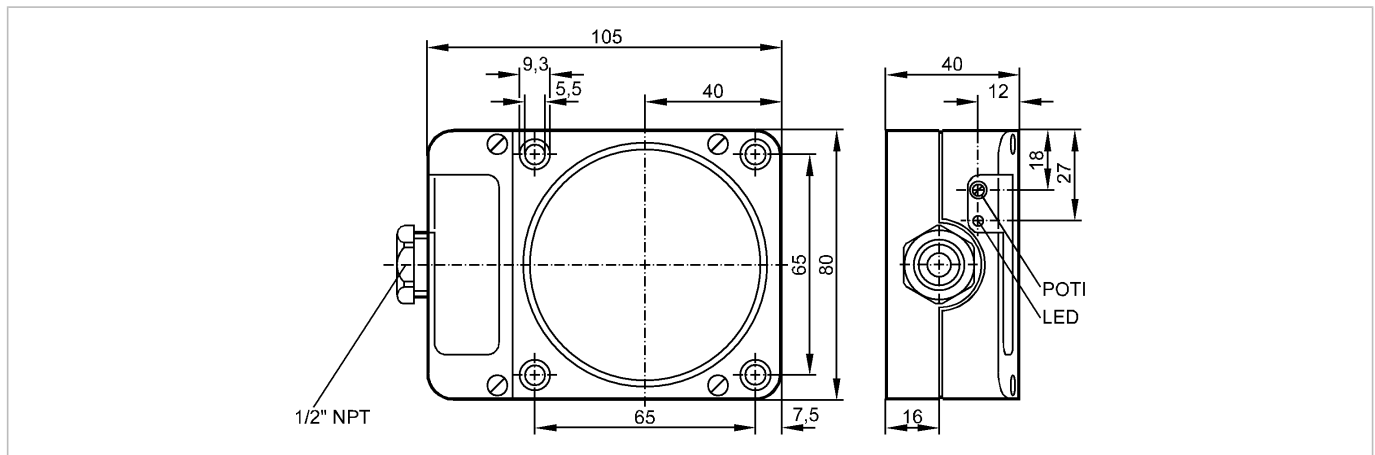


KD0024

KDE2060-FBOA/NI/NPT

Capacitive sensors



Product characteristics

Capacitive sensor
Rectangular, plastics
Terminals
Sensing range 60 mm; adjustable; [nf] non-flush mountable

Electrical data

Electrical design	AC/DC
Operating voltage [V]	20...250 AC/DC
Protection class	II
Reverse polarity protection	no

Outputs

Output function	normally open / closed programmable
Voltage drop [V]	< 10 AC / < 8 DC
Minimum load current [mA]	5
Leakage current [mA]	< 2.5 (250 V AC) / < 1.7 (110 V AC) / < 1.3 (24 V DC)

Current rating

- Current rating (continuous) [mA]	200; für UL-Applikation: 250 AC / 100 DC
- Current rating (peak) [mA]	î: 1.5 A (20 ms / 0.5 Hz)
Short-circuit proof	no
Overload protection	no
Switching frequency [Hz]	10

Monitoring range

Sensing range [mm]	60, adjustable
Real sensing range (Sr) [mm]	60 ± 10 %
Operating distance [mm]	0...48.6

Accuracy / deviations

Correction factors	water = 1 / glass approx. 0.4 / ceramics approx. 0.2 / PVC approx. 0.2
Hysteresis [% of Sr]	1...15
Switch-point drift [% of Sr]	-15...15

Environment

Ambient temperature [°C]	-25...80
Protection	IP 65

Tests / approvals

KD0024

KDE2060-FBOA/NI/NPT

Capacitive sensors

EMC	IEC 60947-5-2:	2007
-----	----------------	------

MTTF	[Years]	409
------	---------	-----

Mechanical data

Mounting	non-flush mountable
----------	---------------------

Housing materials	modified PPO
-------------------	--------------

Weight	[kg]	0.309
--------	------	-------

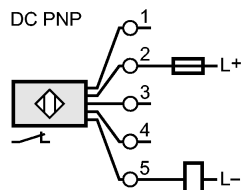
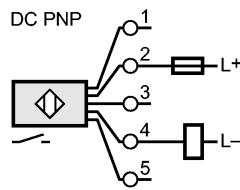
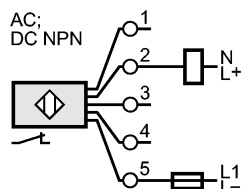
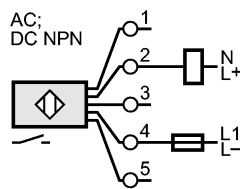
Displays / operating elements

Output status indication	LED	red
--------------------------	-----	-----

Electrical connection

Connection	terminals up to 2.5 mm ² ; cable diameter 7...13 mm
------------	--

Wiring



Note: miniature fuse to IEC60127-2 sheet 1, ≤ 2 A (fast acting)

Accessories

Accessories (included)	screwdriver; 4 spring washers; 4 cylinder screws
------------------------	--

Remarks

Remarks	Recommendation: check the unit for reliable function after a short circuit.
---------	---

Pack quantity	[piece]	1
---------------	---------	---