

no longer available - archive entry

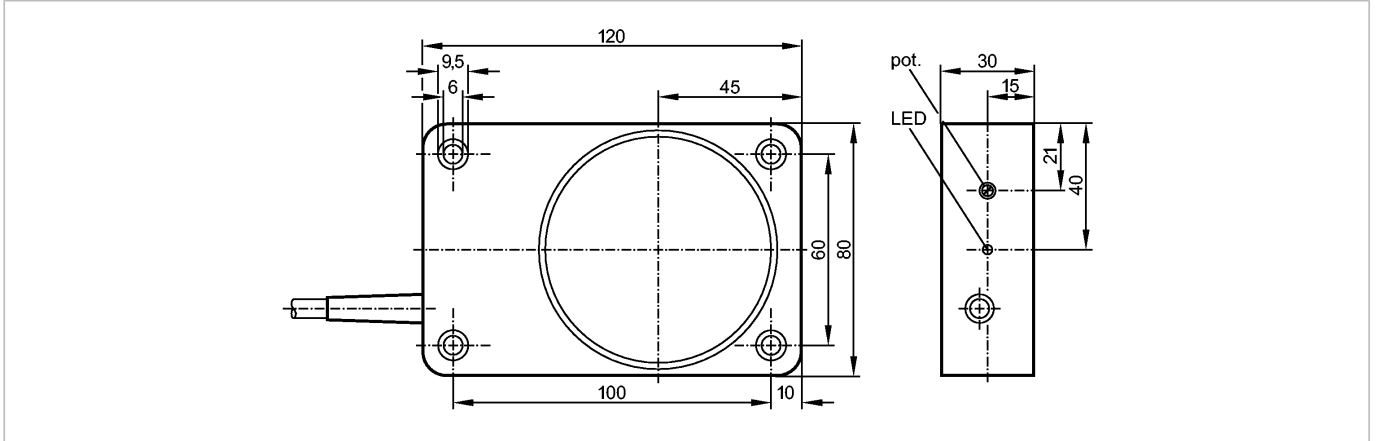
efectoriso

KD0013



KD-2060-BBOA/NI

Capacitive sensors



Product characteristics

Capacitive sensor

Rectangular, plastics

Cable

Increased immunity to conducted radio frequency interference

Sensing range 60 mm; [nf] non-flush mountable

Electrical data

Electrical design

AC/DC

Operating voltage [V]

20...250 AC/DC

Protection class

II

Reverse polarity protection

no

Outputs

Output function

normally closed

Voltage drop [V]

< 10 AC / < 8 DC

Minimum load current [mA]

5

Leakage current [mA]

< 2.5 (250 V AC) / < 1.7 (110 V AC) / < 1.3 (24 V DC)

Current rating

- Current rating (continuous) [mA]

200; 250 (...50 °C)

- Current rating (peak) [mA]

î: 1.5 A (20 ms / 0.5 Hz)

Short-circuit proof

no

Overload protection

no

Switching frequency [Hz]

10

Monitoring range

Sensing range [mm]

60

Real sensing range (Sr) [mm]

60 ± 10 %

Operating distance [mm]

0...48.6

Accuracy / deviations

Correction factors

water = 1 / glass approx. 0.4 / ceramics approx. 0.2 / PVC approx. 0.2

Hysteresis [% of Sr]

1...15

Switch-point drift [% of Sr]

-15...15

Environment

Ambient temperature [°C]

-25...80

Protection

IP 65

Tests / approvals

EMC

IEC 60947-5-2:

2007

MTTF [Years]

281

Mechanical data

KD0013 - Capacitive sensor - eclass: 27270102 / 27-27-01-02

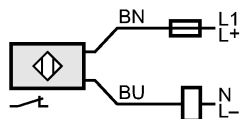
Mounting	non-flush mountable
Housing materials	modified PPO
Weight [kg]	0.397
Displays / operating elements	
Output status indication LED	yellow
Electrical connection	
Connection	PVC cable / 2 m; 2 x 0.5 mm ²

Wiring

Core colors

BN brown

BU blue



Note: miniature fuse to IEC60127-2 sheet 1,
 ≤ 2 A (fast acting)

Accessories	
Accessories (included)	screwdriver; 4 spring washers; 4 cylinder screws
Remarks	
Remarks	Recommendation: check the unit for reliable function after a short circuit.
Pack quantity [piece]	1

ifm efector, inc. • 1100 Atwater Drive • Malvern • PA 19355 — We reserve the right to make technical alterations without prior notice. — US — KD0013 — 05.12.2007
 no longer available - archive entry